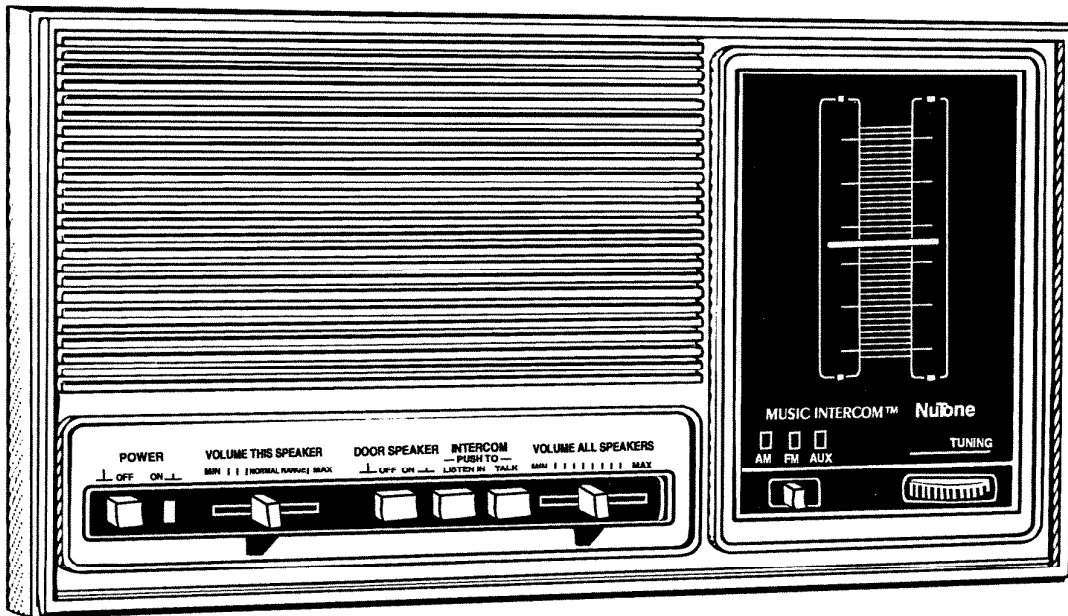


NuTone[®] RADIO INTERCOM SYSTEM MODEL IM-2003 SERIES



HOMEOWNER'S OPERATING INSTRUCTIONS

Contents

Page

| | |
|--|--------------|
| SYSTEM OPERATING CONTROLS | 3 - 4 |
| Radio and Program Controls | 3 |
| Intercom Controls | 4 |
| | |
| SETTING SYSTEM VOLUME CONTROLS | 5 - 6 |
| Important Reminders | 6 |
| Individual Station Volume Control | 6 |
| | |
| RADIO OPERATION | 6 |
| | |
| INTERCOM OPERATION | 7 |
| How to Make a Call from the Master Station to the Remote Speakers | 7 |
| How to Receive a Call and Make a Reply | 7 |
| How to Make a Call from a Remote Station | 7 |
| | |
| HOW TO ANSWER YOUR DOOR | 8 |
| Door Answering from the Master | 8 |
| Door Answering from a Remote Station | 8 |
| | |
| HOW TO USE THE MONITOR FUNCTION | 8 |
| | |
| OPTIONAL ACCESSORIES | 9 |
| | |
| RECORD CHANGER OR CASSETTE PLAYER/RECORDER CONNECTION | 9 |
| | |
| PLACING THE MASTER STATION IN SERVICE POSITION | 10 |
| | |
| WARRANTY | 11 |

System Operating Controls

Radio and Program Controls

RADIO ON/OFF PUSHBUTTON – Press the **RADIO ON/OFF** button to the **ON** (⊥) position to supply power to the radio. The red **RADIO INDICATOR LIGHT** will illuminate. Press and release the button to the **OFF** (⊥) position to turn off the **RADIO**.

NOTE: The intercom is constantly powered. It can be used and auxiliary program sources (phono or tape) can be played through the system whether power is supplied to the radio or not.

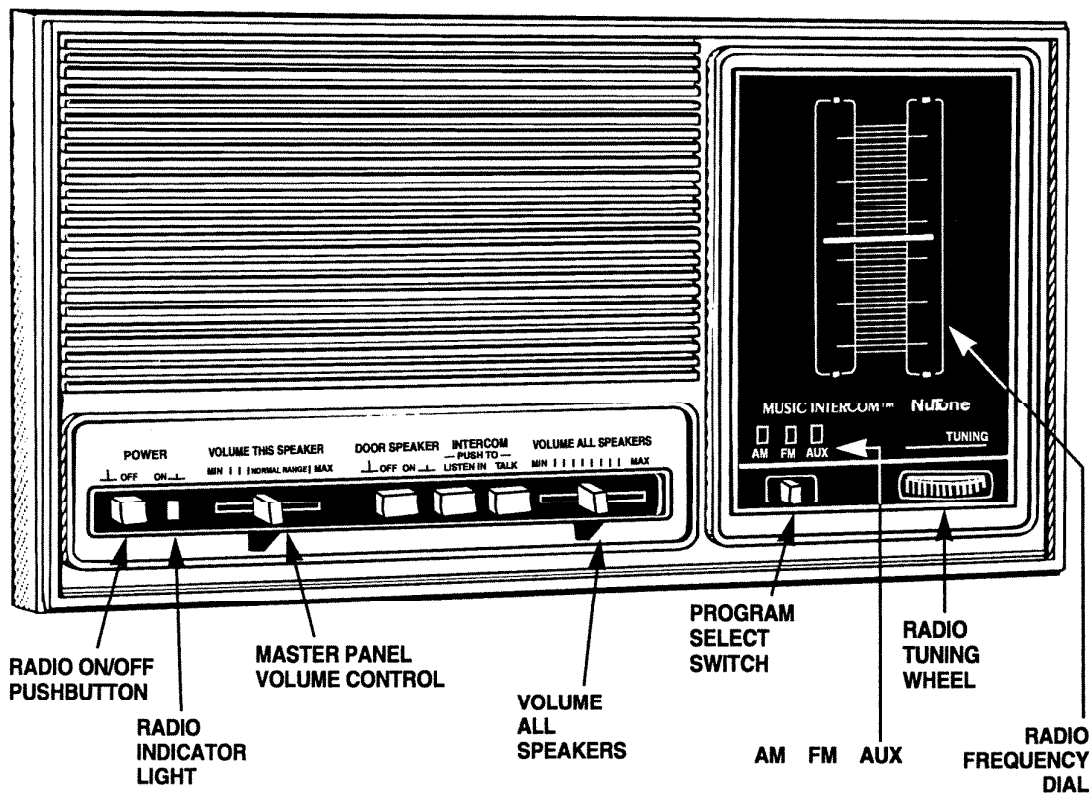
PROGRAM SELECT SWITCH – Slide the switch to select the program source: **AM, FM, AUX** (Phono or Tape) The orange indicator will appear above the selected program source.

TUNING WHEEL – Turn the **TUNING WHEEL** to tune the radio.

RADIO FREQUENCY DIAL – The orange pointer shows you the **AM** and **FM** frequencies to which you have tuned the radio.

MASTER SPEAKER VOLUME CONTROL – Slide the control marked **VOLUME THIS SPEAKER** from left to right to increase the Master Panel's speaker volume.

VOLUME ALL SPEAKERS – Slide the control marked **VOLUME ALL SPEAKERS** from left to right to increase volume at all speaker stations (including the Master Panel). This control sets the volume level for the entire system.



Intercom Controls

MASTER PANEL VOLUME CONTROLS – Slide the control marked **VOLUME THIS SPEAKER** from left to right to increase the intercom volume level at the Master Panel.

VOLUME ALL SPEAKERS – Slide the control marked **VOLUME ALL SPEAKERS** from left to right to set intercom volume levels at all speaker stations (including the Master Panel). This control sets the intercom volume level for the entire system.

INTERCOM TALK – Depress button marked **TALK** to make a call to other speaker stations. Keep the button depressed while you are talking.

INTERCOM LISTEN – Depress the button marked **LISTEN** to hear a reply from another station. Pressing the **LISTEN** button at the Master Panel allows the person at the remote speaker to reply “hands free” – that is, without pressing the remote speaker’s **TALK** button.

If the person at the remote speaker presses that speaker’s **TALK** button, it is not necessary to press the Master Panel’s **LISTEN** button to hear the reply from the remote speaker station.

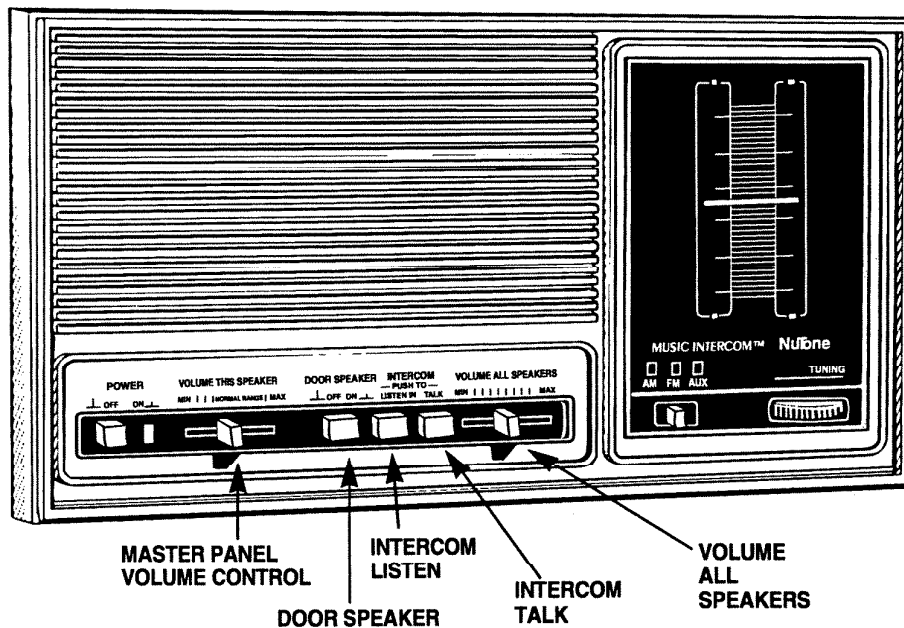
DOOR SPEAKER – Press the button marked **DOOR SPEAKER** to the **ON** (⊥) position to use the door speaker. The button will latch in the **ON** position.

When the **DOOR SPEAKER** button is latched in the **ON** position, all program material (radio, phono, tape) will be played over the door speaker.

To make a call to the door, latch the **DOOR SPEAKER** button in the **ON** position and use the **INTERCOM TALK** and **LISTEN** buttons as you would for any remote station.

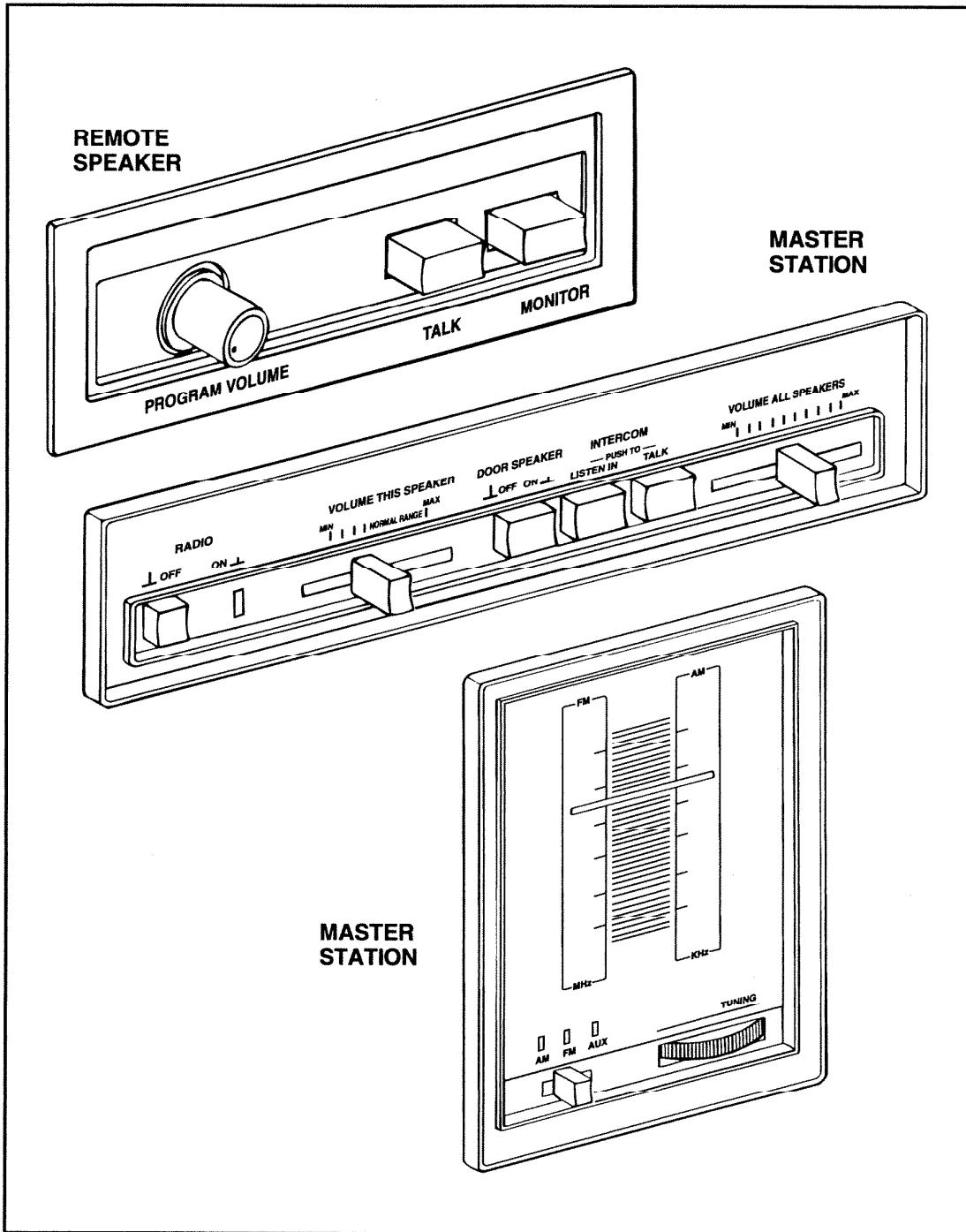
When you have finished your call to the door speaker, release the **DOOR SPEAKER** button to the **OFF** (⊥) position.

At any time, a person may initiate a call from the door speaker by depressing the door speaker’s **TALK** button. The call will be heard at all stations whether the Master Panel’s **DOOR SPEAKER** button is depressed or not.



Setting System Volume Levels

The volume levels required at each station may vary with the location of the speaker and the size of the room where the speaker is located. Spend some time experimenting with volume levels and adjust each speaker so that you can clearly hear the radio and intercom. Refer to the procedure described on the following page to set the system's volume levels.



Setting System Volume Levels (Continued)

1. At each remote station, turn the **VOLUME** control completely clockwise to maximum volume.
2. At the master station, slide the **VOLUME ALL SPEAKERS** control to 1/3 volume.
3. Depress the **RADIO** button to supply power to the radio.
4. Set the master station's **PROGRAM SELECT** switch to **AM** or **FM**. Tune in a radio station with a strong, clear signal.
5. Adjust the **VOLUME ALL SPEAKERS** control until you have enough volume at the remote station that requires the highest volume (i.e., a large living room or family room, a basement, etc.).
6. Adjust the **VOLUME** controls at all other remote stations to the volume level you desire.

Important Reminders

1. The Master panel's **VOLUME ALL SPEAKERS** switch controls the volume level for the entire system. If this control is set to **MINIMUM**, remote speakers will receive no radio and lowered intercom audio. Make sure the **VOLUME ALL SPEAKERS** is set to a reasonably high level.
2. If the remote stations' **VOLUME** controls are set too low and the master panel's **VOLUME ALL SPEAKERS** switch is set too high, distortion may result. Make sure all volume controls are properly balanced.

Individual Station Volume Control

The master station's speaker and all remote stations (except the door speaker) are equipped with their own volume controls. Although the master station's **VOLUME ALL SPEAKERS** switch sets the system's volume level, you may adjust an individual speaker's volume level within the set range.

1. **MASTER STATION** – Slide the control marked **VOLUME THIS SPEAKER** from left to right to increase master speaker's volume. For everyday use, set this control to **NORMAL RANGE**. For privacy at the master station, slide this control fully to the left.
2. **REMOTE STATIONS** – Turn the **VOLUME** control knob clockwise to increase volume; turn knob counterclockwise to decrease volume. For privacy at a particular remote station, turn the **VOLUME** control knob completely counterclockwise.

Radio Operation

1. Depress the master panel's **RADIO** switch.
2. Slide the **VOLUME ALL SPEAKERS** switch to approximately 1/3 volume.
3. Set **PROGRAM SELECT SWITCH** to **AM** or **FM**.
4. Use the tuning wheel to select the radio station you want.
5. Adjust volume levels as desired.

IMPORTANT: Keep the remote stations' volume controls at maximum and adjust the VOLUME ALL SPEAKERS Control for the desired volume level. If the remote stations' volume controls are set too low and the system volume is set too high, distortion will result.

6.

Intercom Operation

How to Make a Call from the Master to the Remote Speakers

1. Adjust the **VOLUME ALL SPEAKERS** switch so that the system volume is high enough.
2. **TO TALK** – Depress the **INTERCOM TALK** button on the master panel. Hold the button down while talking. (The radio will be muted.)
3. **TO LISTEN** – Depress the **INTERCOM LISTEN** button on the master panel. Hold the button down while talking. (The radio will be muted.) This method allows the person at the remote station to reply without using the speaker's controls (“hands-free-operation”).

If the person at the remote uses the **TALK** button, you do not need to depress the master's **LISTEN** button to hear the reply.

How to Receive a Call and Make a Reply

1. If the call was made from the master station, the caller can control the conversation with the master's **TALK** and **LISTEN** buttons. In this case, you may reply to a call by simply speaking and listening near the remote station. you don't use any controls; operation is “hands-free.”
2. If the call was made from another remote station, you reply by depressing the remote's **TALK** button to speak and releasing the button to listen.

How to Make a Call from a Remote Station

1. Turn the remote's **VOLUME** control knob clockwise to the position marked **NORMAL RANGE**.
2. **To Talk** – Depress the **TALK** button and hold it down while speaking.
3. **To Listen** – Release the **TALK** button; the person called replies by depressing their **TALK** button.
4. When you make a call from a remote unit, the program source (i.e., radio music) will not be muted at other stations. Your voice will be heard **over** the radio music.
NOTE: To make a call from a remote station requires that the VOLUME ALL SPEAKERS is adjusted to provide sufficient system volume.

How To Answer Your Door

IMPORTANT: The master panel's **DOOR SPEAKER** button must be in the **ON** (⬆) position to answer the door from the master or remote stations.

DOOR ANSWERING FROM THE MASTER

1. **To Talk** – Latch the **DOOR SPEAKER** button to the **ON** position. Depress the **INTERCOM TALK** button and hold it down while speaking.
2. **To Listen** – Depress the **INTERCOM LISTEN** button and hold it down while listening. The person at the door can reply “hands-free.”

If the person at the door uses the door speaker's **TALK** button, you do not need to use the master's **LISTEN** button.

DOOR ANSWERING FROM A REMOTE STATION

1. **To Talk** – Depress the **TALK** button and hold it down while speaking.
2. **To Listen** – Release the **TALK** button and listen to the reply. The person at the door replies by depressing the door speaker's **TALK** button.

NOTE: When the master panel's **DOOR SPEAKER** switch is in the **ON** position, radio and inside intercom conversations will be heard at the door speaker.

How to Use the Monitor Function

The monitor function lets you use the intercom to listen to the sounds from a certain location. It is most frequently used to monitor a “sickroom” or a child’s room. When a remote station is set to **MONITOR**, all sounds in that room will be transmitted to all other stations.

1. Turn the remote station's **VOLUME** fully clockwise to maximum volume.
2. Press the remote station's **MONITOR** button. Make sure it latches in the **IN** position.
3. Release the **MONITOR** switch when you no longer want to monitor that station.

You may use the monitor function as a security device during the night. To monitor your house from your bedroom:

(1) Set the master's **PROGRAM SELECT** switch to **AUX**; set all stations to **MONITOR** (except your bedroom).

Optional Accessories

PHONOGRAPH – A Record Changer may be connected to your IM-2003 Series Master Station. Set the **PROGRAM SELECT** switch to **AUX** and the phonograph will be played over the intercom system.

CASSETTE PLAYER/RECORDER – A Stereo Cassette Player/Recorder may be connected to your IM-2003 Series Master Station. You may use the cassette player as an auxiliary program source and play cassettes over your intercom system. This accessory also allows you to record radio programming from the master station's radio.

ELECTRONIC DOOR CHIME – When a NuTone Electronic Door Chime is connected to your IM-2003 Series Master Station, the chime is played throughout the intercom system.

SECURITY – If you connect a Security system to your IM-2003 Series Master Station, the security alarm (fire or intruder) will sound over the intercom system.

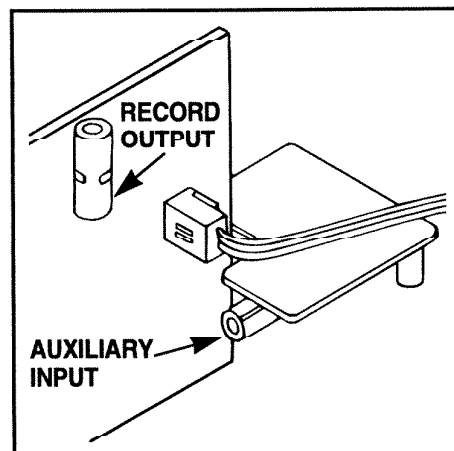
See the enclosed installation instructions for detailed accessory wiring connections.

Player/Recorder Connection

The IM-2003 Series Master Station can accommodate only one accessory input connection at a time. Follow the procedures described below for connecting the Cassette Player/Recorder.

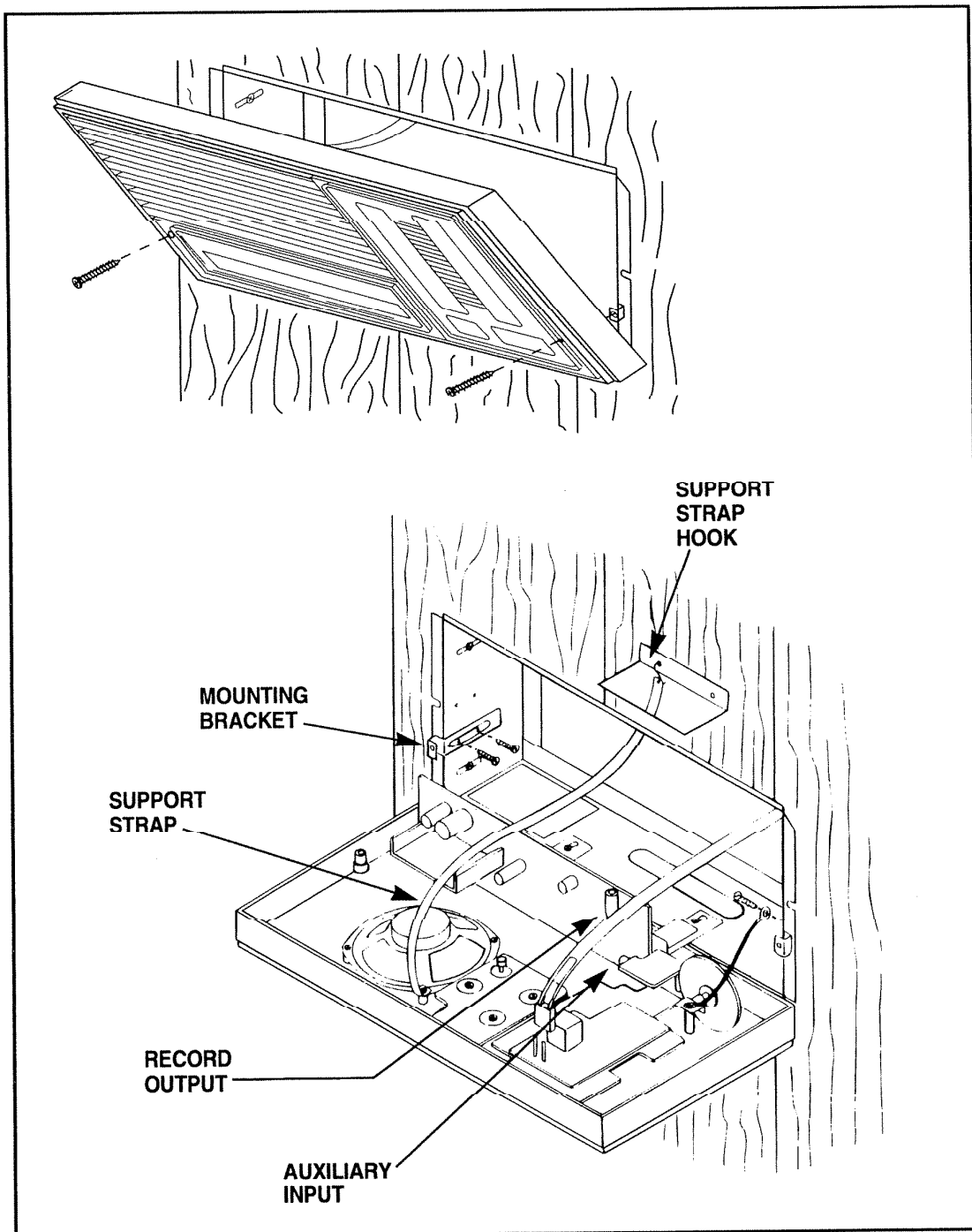
Refer to installation instructions supplied with the accessory for information about the adaptors required.

1. Place the Master Station in service position - see page 10.
2. To connect an optional Stereo Cassette Player/Recorder locate the **AUXILIARY INPUT** and **RECORD OUTPUT** jacks on the master panel.
3. To play the tape player over the intercom system, insert the accessory's output plug into the master panel's **AUXILIARY INPUT** jack.
4. To use the radio as a program source for recording on the Cassette Recorder/Player, insert the tape player's input plug into the master panel's **RECORD OUTPUT** jack.



Placing the Master Station in Service Position

1. Remove the two screws which secure the master station to the rough-in frame.
2. The master station can now be opened on its hinges. Make sure the support strap is secure so that it holds the master panel at approximately a 90° angle to the wall.



NuTone®

Madison and Red Bank Roads,
Cincinnati, Ohio 45227

Product specifications subject to change without notice.
Printed in U.S.A., Rev. 7/95, Part No. 51368