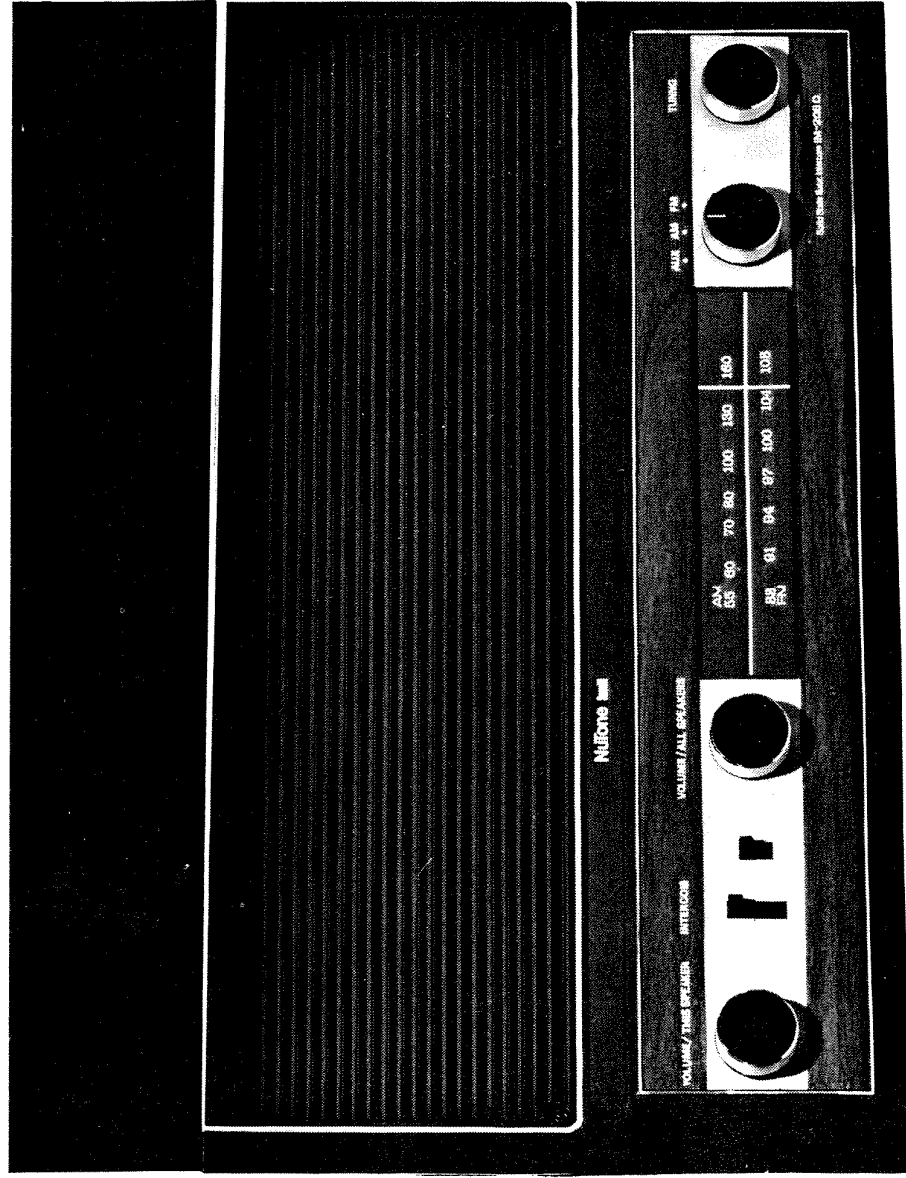


# NuTone

## RADIO INTERCOM

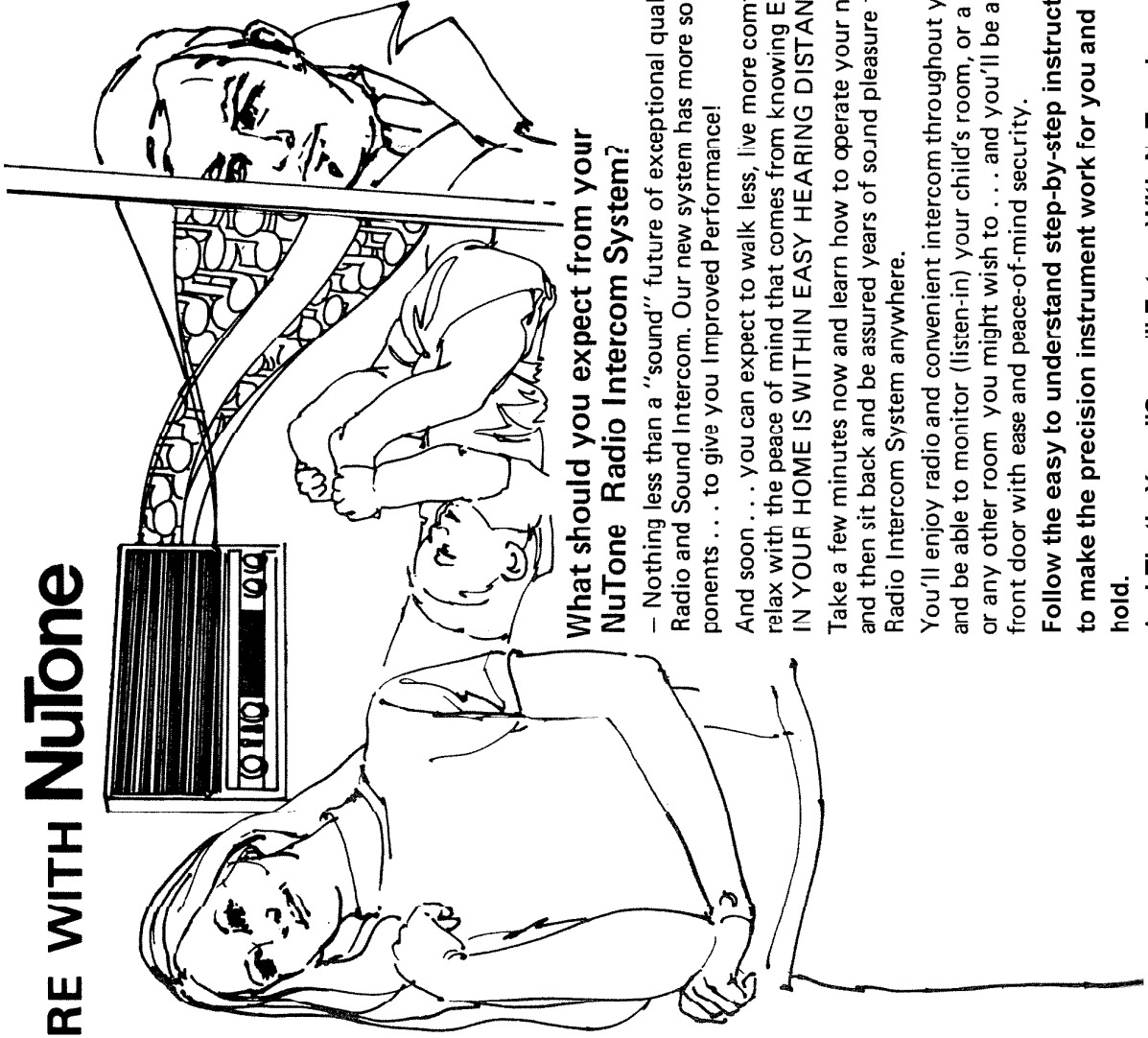
MODEL IM-203

# Home Owner's Operating Manual



**IMPORTANT:** Hang this booklet on front of the NuTone Radio Intercom. It contains **important information** necessary for proper operation of this system!

# YOUR FUTURE WITH NuTone



## What should you expect from your NuTone Radio Intercom System?

— Nothing less than a "sound" future of exceptional quality . . . Sound Radio and Sound Intercom. Our new system has more solid state components . . . to give you Improved Performance!

And soon . . . You can expect to walk less, live more comfortably, and relax with the peace of mind that comes from knowing **EVERY ROOM IN YOUR HOME IS WITHIN EASY HEARING DISTANCE.**

Take a few minutes now and learn how to operate your new system . . . and then sit back and be assured years of sound pleasure from the finest Radio Intercom System anywhere.

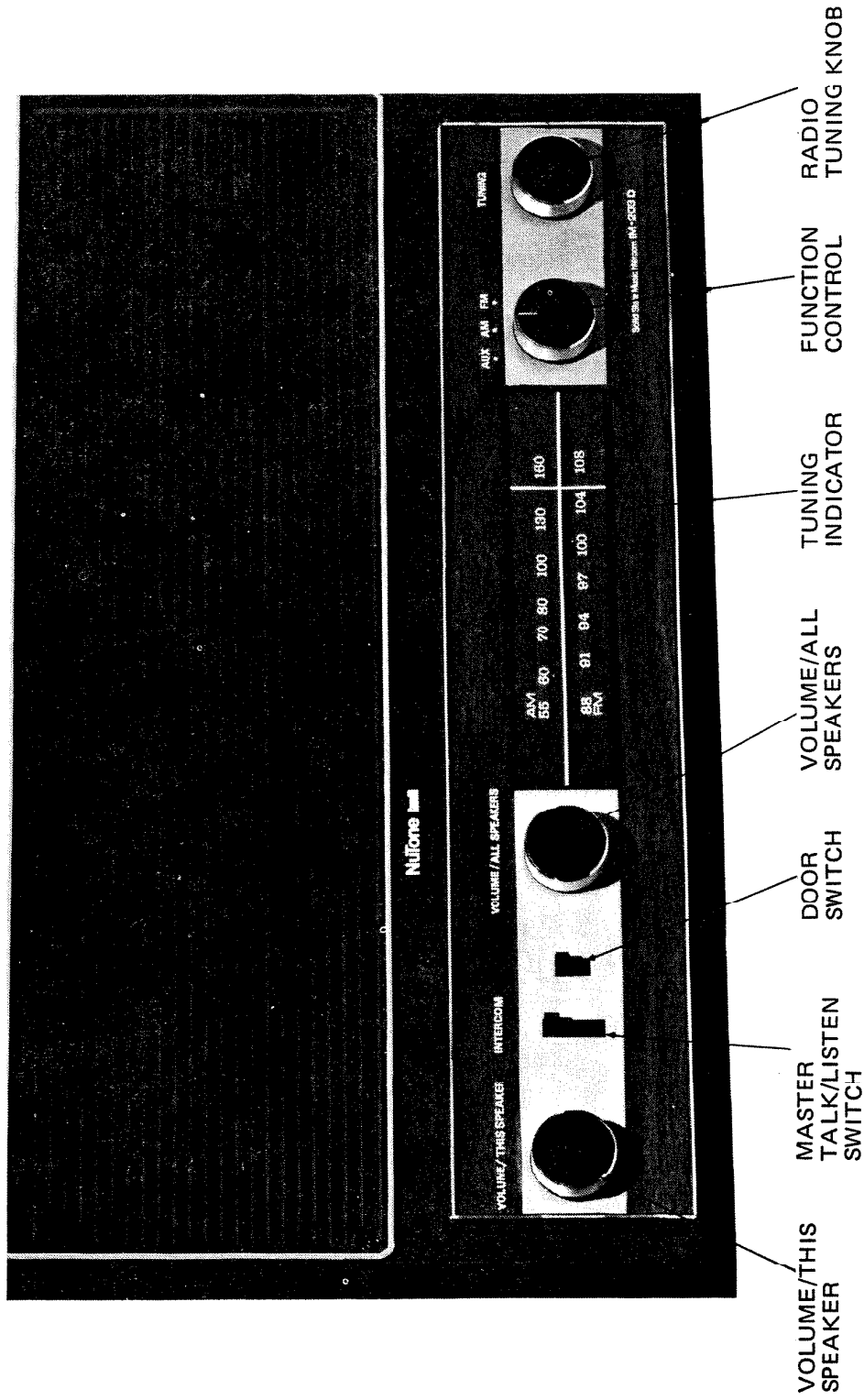
You'll enjoy radio and convenient intercom throughout your home . . . and be able to monitor (listen-in) your child's room, or a "sickroom" or any other room you might wish to . . . and you'll be answering your front door with ease and peace-of-mind security.

**Follow the easy to understand step-by-step instructions and learn how to make the precision instrument work for you and benefit your household.**

**And That's Your "Sound" Future With NuTone!**

# CONTENTS

ENTIRE SYSTEM	
Picture of Master . . . . .	3
Description of Controls on Master . . . . .	4
Power and Volume Controls. . . . .	5
Individual Station Controls . . . . .	6
RADIO	
How to Operate Radio . . . . .	7
INTERCOM	
Talking from the Master to all other Stations. . . . .	8
Making Calls from any Remote Station . . . . .	9
How to Answer your Door. . . . .	10
Listening-in to One or More Rooms. . . . .	11
OPTIONAL ACCESSORIES . . . . .	12
MORE ACCESSORIES . . . . .	13
CONNECTING A PHONO OR TAPE PLAYER. . . . .	14
HOW TO REMOVE MASTER UNIT . . . . .	15
HOW TO ADJUST INTERCOM OVERRIDE. . . . .	16
HELPFUL HINTS . . . . .	17
WARRANTY . . . . .(inside back cover)	



## **DESCRIPTION OF CONTROLS ON MASTER STATION**

### **Volume/This Speaker**

Use this knob to control only the volume level of the Master Station Speaker. This knob does not affect the volume of the Remote Stations. When operating the Intercom, have this knob at maximum.

### **Master Talk/Listen Switch**

Communicate throughout your home with a flip of this switch on the Master Station.

### **Door Switch**

Lets you answer your front door without opening it up. A great security feature you'll certainly appreciate.

### **Volume/All Speakers**

You use this control knob to turn the entire system ON and OFF . . . and to set the volume level for the entire system.

### **Tuning Indicator**

Find the station you want easily . . . AM stations on the upper scale; FM stations on the lower scale.

### **Function Control**

Choose AM or FM Radio with this switch . . . or switch the control to Auxiliary (AUX) and have the convenience of Intercom "stand-by" without music. This position is also used to select the Phono or 8-Track Tape function when the accessory is a part of your Intercom System.

### **Radio Tuning Knob**

Choose your favorite radio station with the help of this knob and the slide rule indicator.

# ENTIRE SYSTEM

## Power Control:

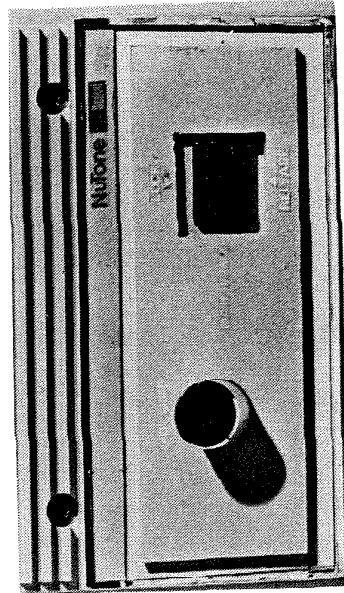
Turn system ON and OFF with the VOLUME/ALL SPEAKERS knob.

1. Always remember . . . the VOLUME/ALL SPEAKERS control knob at the Master Station must be turned ON to operate your Intercom or Radio.
2. Set the Volume Level for the entire system with this same control knob. Turn it clockwise to make it louder, counterclockwise to make it softer.



Master

# ENTIRE SYSTEM



Remote Speaker controls

## INDIVIDUAL STATION CONTROL

The Master Station Speaker and all Remote Speakers (except the Door Speaker) have their own volume control with a Privacy OFF setting.

1. Volume: Master Speaker – Turn VOLUME/THIS SPEAKER counterclockwise to make it softer and clockwise to make it louder. A complete counterclockwise setting will turn the Master Speaker OFF for Privacy. (This does not affect the volume at Remote Speaker locations).
2. Volume: Remote Speakers – Turn the VOLUME control knob counterclockwise to make it softer and clockwise to make it louder. (Maximum counterclockwise setting (Privacy) makes it impossible to monitor that particular room).

### NOTE:

No Remote Speaker VOLUME control can increase the system volume greater than the level set by the VOLUME/ALL SPEAKERS control knob on the Master Station.

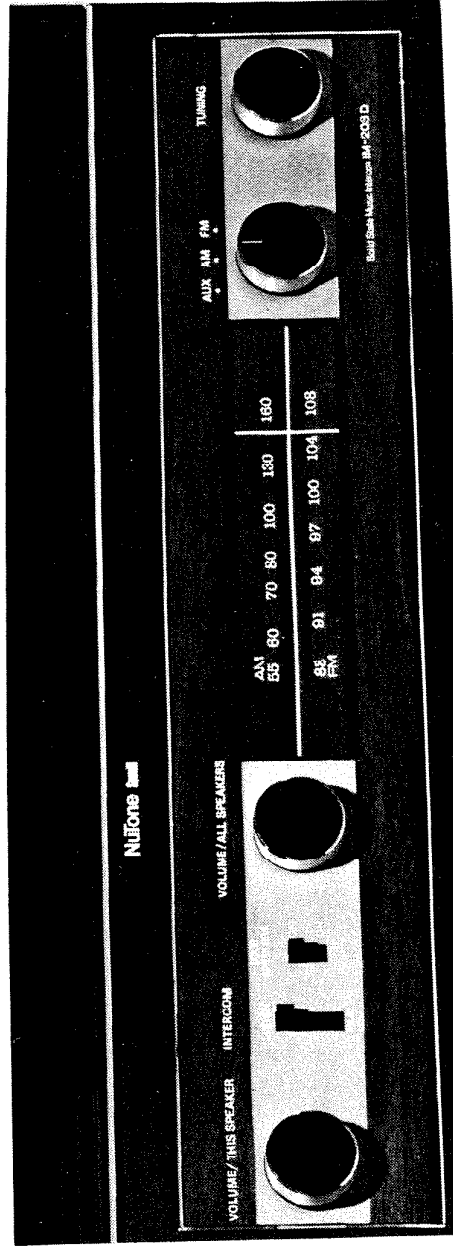
# RADIO

## Tuning In

1. First, turn the **VOLUME/ALL SPEAKERS** knob **ON** and make sure the volume is loud enough.
2. Switch your **Function Control** knob at **AM** or **FM**.
3. Next, select the station you want. Use the bottom scale for **FM** stations; the top scale for **AM**.
4. Adjust the volume for the entire system with the **VOLUME/ALL SPEAKERS** knob at the **Master Station**. No **Remote Station VOLUME** control can increase the volume set at the **Master Station**.

### IMPORTANT:

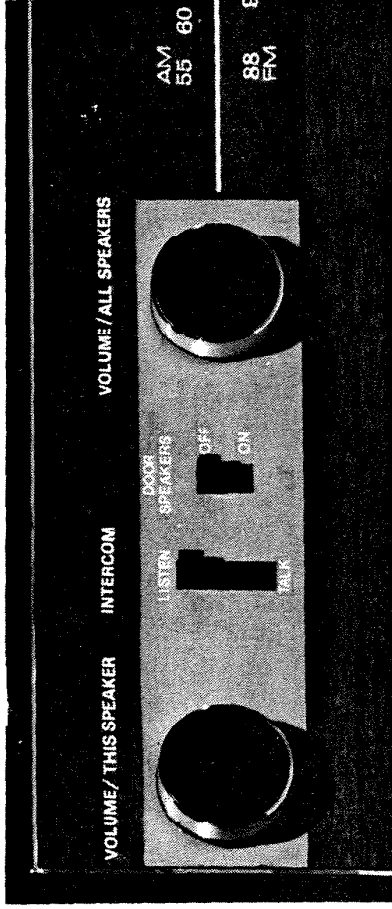
Keep the **Remote Station VOLUME** controls at maximum and adjust the **VOLUME/ALL SPEAKERS** control for the desired volume level. If **Remote Station VOLUME** controls are turned too low, and the **VOLUME/ALL SPEAKERS** control on the **Master** is turned too high, distortion will result.





## INTERCOM

TALKING FROM THE MASTER  
TO ALL OTHER STATIONS



Master

1. Be sure the power (VOLUME/ALL SPEAKERS) control is turned on for entire system and volume is loud enough.
2. Turn the VOLUME/THIS SPEAKER control to maximum clockwise position.
3. To talk — push TALK/LISTEN switch on Master unit to the down position and hold while talking. (Music will be silenced).
4. To listen — push Master TALK/LISTEN switch up to the (LISTEN) position and hold. Persons at Remote Stations can answer without pushing their TALK button.

**NOTE:** Alternative method to receive answer: To hear reply, leave the TALK/LISTEN switch in center position. Persons at Remote Stations can reply by pushing their TALK button.

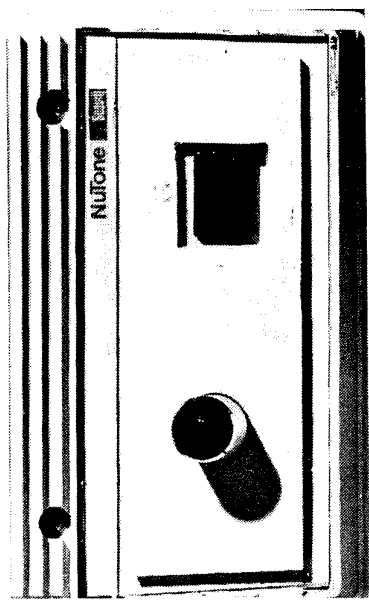
# INTERCOM HOW TO MAKE CALLS FROM REMOTE STATIONS

You can make calls from any Remote Station at any time, as long as the entire system is turned ON (VOLUME/ALL SPEAKERS).

Since your NuTone Radio Intercom is fully transistorized and when left ON, ready for use, uses only a little more electricity than an electric clock . . . it's desirable to leave your unit on all the time.

1. Turn the Station VOLUME control to the maximum clockwise position.
2. TO TALK – Push the TALK button IN and HOLD while speaking.
3. TO LISTEN – release the TALK button; the person called replies by pushing in their TALK button.

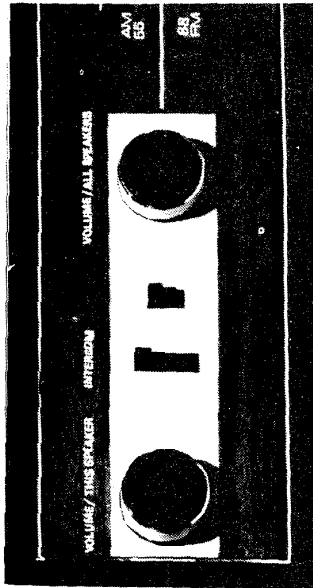
Intercom messages will be transmitted at a higher volume level than the radio – except for those speakers where the VOLUME control is OFF, or the TALK button at the speaker is in the LOCK position for monitoring (listening-in).



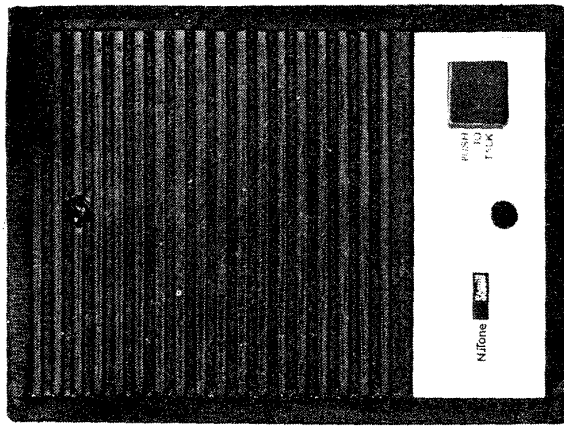
Remote Speaker

# INTERCOM

## HOW TO ANSWER YOUR DOOR WITH YOUR NEW INTERCOM



Master



**Safety and Convenience** – you'll never have to open your door to strangers again; you'll save lots of time and extra steps.

### IMPORTANT:

You must have the DOOR SPEAKER switch on the Master in the ON position to answer the door from the Master or Remote Stations.

### DOOR ANSWERING FROM THE MASTER:

1. TO TALK – push the Master TALK/LISTEN switch to the down TALK position and hold while speaking.
2. TO LISTEN – push the Master TALK/LISTEN switch up to the LISTEN position. The caller can reply "hands free."

As an alternative way to hear the caller's reply, the TALK/LISTEN switch on the Master may be left in the center position and the caller replies by moving the TALK/LISTEN switch on the Door Speaker to the TALK position.

### DOOR ANSWERING FROM REMOTE STATIONS:

1. TO TALK – push the TALK button IN and hold it while speaking.
2. TO LISTEN – release the button and it will spring back to the LISTEN position and you may receive your answer. The caller replies by pushing the TALK/LISTEN switch on the Door Speaker into the TALK position.

### NOTE:

When the Door Speaker switch on the Master is in the ON position, radio and inside Intercom conversations will be heard at the Door Speaker.

Door Speaker

# INTERCOM

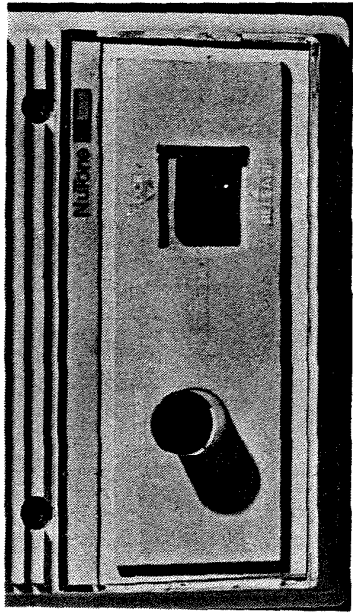
## HOW TO LISTEN-IN TO ONE OR MORE ROOMS

The ideal feature for keeping an "ear" on the children's rooms or a "sick-room" . . . or even the outside, if you have a Patio Speaker.

1. For Remote Stations you want to listen-in on, turn their VOLUME controls to the maximum clockwise position.
2. Push the Remote Station's TALK/LISTEN button IN and DOWN to the LOCK position.

The Remote Stations set for listening-in will transmit sounds to all other Stations not set for listening-in.

And for added security during the night, listen-in to your entire home from your bedroom and be able to hear any disturbing noises. Just place the Function Switch in the AUX. position and set the Stations throughout your home for listening-in and let your bedroom Station's TALK/LISTEN switch rest in the LISTEN position. YOUR PRIVATE NIGHT WATCHMAN!

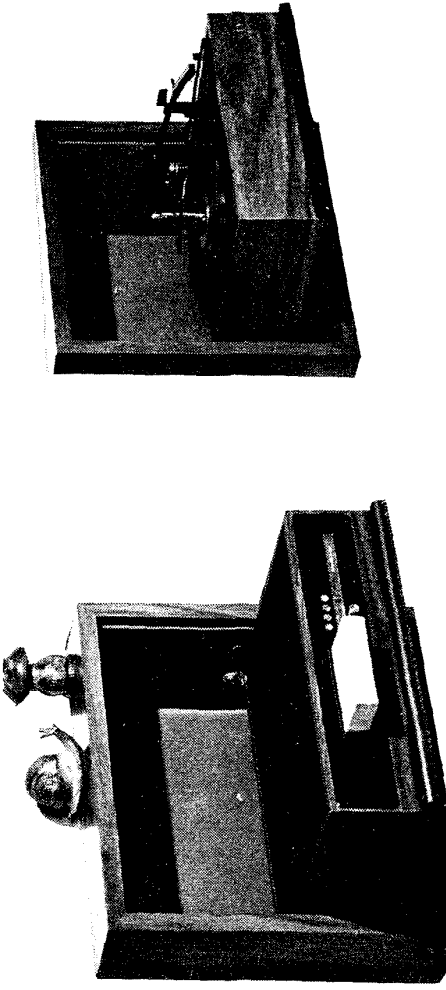


Remote speaker controls

## OPTIONAL ACCESSORIES

More sound in your future with NuTone. . . Have the advantages of a popular music source. Plus the convenience of having a unit that tilts out for use and back to store.

NuTone's Record Changer (Model 2603) or 8-Track Tape Player (Model 2603) can easily be added to your NuTone Radio Intercom Master Station. The Record Changer plays record-speeds of 33, 45, and 78RPM; has a lightweight tone-arm, controls for 'on/off' and 'reject' and accomodates 7", 10", and 12" records. The Tape Player automatically adjusts to a monaural or stereo system to play an entire 8-track cartridge or any single program-track.



NuTone offers many different Speakers for indoors and outdoors to accomodate every families' needs. All of the Speakers operate in the same way as the Inside Speaker described on the previous pages. Some Speakers have no controls on their frames, instead, they are controlled by a Remote Control which operates just like the controls on the Inside Speaker discussed earlier.

## MORE ACCESSORIES

### ELECTRONIC DOOR CHIME

More luxury and convenience in your household. . .

A NuTone Electronic Door Chime connected to your Intercom System will be heard through the Intercom Speakers.

So when a caller rings your Door Chime you can hear it from any part of your home.

**TO ADJUST THE VOLUME** — Set the Function Control on AM or FM Radio. Select a station with clear reception and ring Chime. The Chime should be heard clearly throughout the System while the Radio is playing. Adjust the volume control on the Chime base plate to the volume you wish.

### SECURITY/FIRE ALARM

Sound protection for your family and your possessions! Security through your Intercom System . . .

NuTone's Security/Fire Alarm System, including an Electronic Horn Alarm, can also be connected to your Radio Intercom System to sound the alarm signal through the System Speakers.

For additional information regarding accessories, send your request to:

**Field Engineering Dept.  
Madison & Red Bank Rds.  
Cincinnati, Ohio 45227**

or dial NuTone for the name of the dealer nearest you: **800-543-8687**

## CONNECTION OF PHONO OR TAPE PLAYER TO MASTER STATION

An input jack is provided on the Master Station chassis for connecting a Phono or Tape Player to your System. The input jack in its present position is mounted for connecting a built-in Phono or Tape Player like NuTone's Model 2603 Record Changer or Model 2605 8-Track Tape Player.

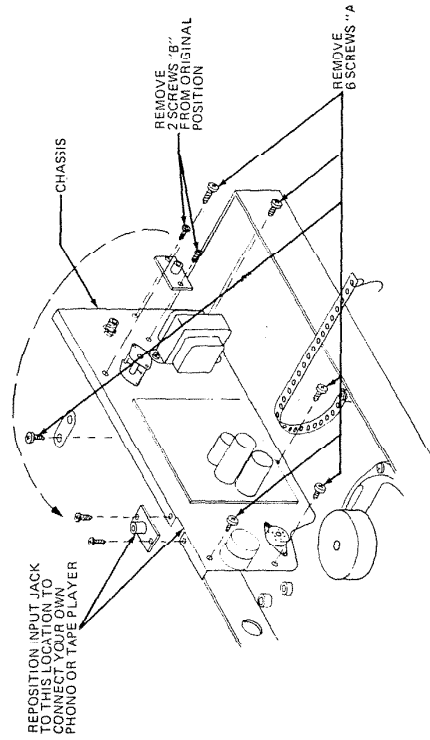
To connect your own Phono or Tape Player follow the procedure outlined below.

1. First, remove Master Station from its housing. Refer to "HOW TO REMOVE MASTER STATION FOR SERVICE."
2. Next, remove the control knobs from the front of the Master. Pull each straight out, away from the unit.
3. Remove the 6 screws "A" from the chassis upon which the input jack is located.
4. Now, remove the 2 screws "B" from the input jack itself. Discard the metal strip holding the input jack wires.
5. Tilt the board up as shown in the illustration and reposition the input jack to the new location to enable you to connect your own Record Changer or Tape Player.

### NOTE:

Be careful not to let any wires come between the Tuning Dial Indicator and the Radio window on the underside of the board.

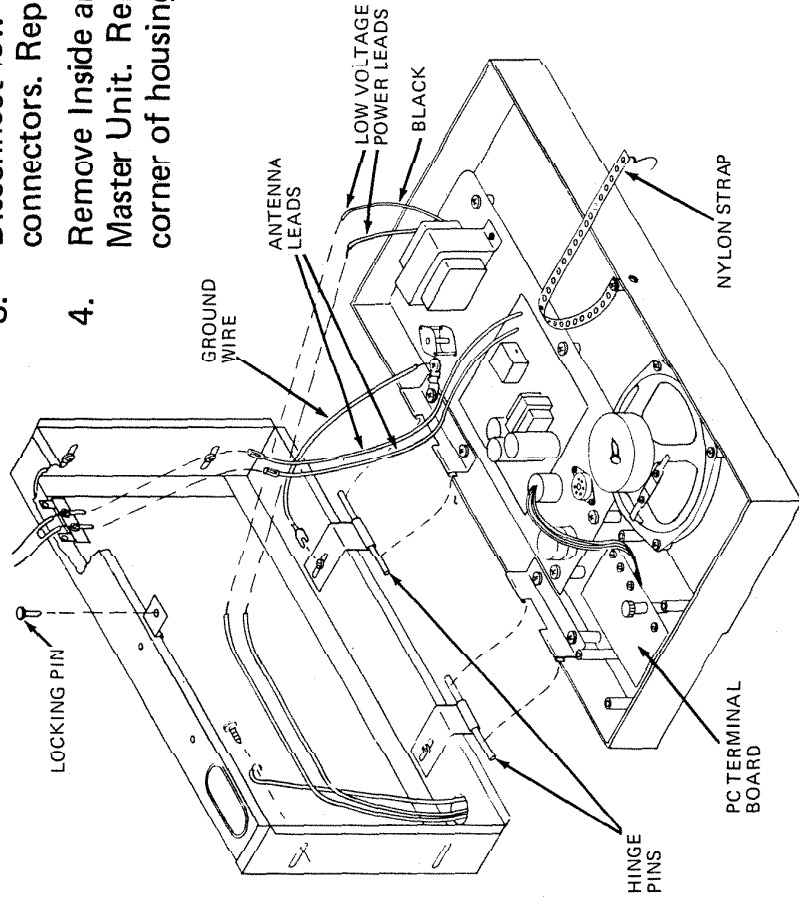
6. Place the chassis back to its original position. Replace screws "A."
7. Replace Master Unit into its housing, making all the proper wire connections.



# HOW TO REMOVE MASTER STATION FOR SERVICE

Your NuTone Master Station has been designed for easy removal should service be required. To remove Master Station, follow the procedure outlined below.

1. Turn VOLUME/ALL SPEAKERS control knob fully counterclockwise to turn power OFF.
2. Remove Locking Pin from top center of Master Unit panel to release the unit from its housing. The Master Unit will drop forward.
3. Disconnect low voltage power leads from power source by removing wire connectors. Replace connectors on power cables.
4. Remove Inside and Door Speaker wiring from Intercom PC board on Master Unit. Remove antenna leads from terminal strip in upper right corner of housing.
5. With Master Unit open, and resting perpendicular to wall, grasp it firmly and lift straight up to remove the unit from the hinge pins.
6. Unhook nylon strap from top of Master Housing. Be sure to connect nylon support strap when re-installing the Master Unit.





## HOW TO ADJUST INTERCOM OVERRIDE

Intercom Override allows you to speak to your family from Remote Stations while the radios playing . . . without adjusting your radio controls! Simply operate the Intercom according to the instructions in this manual and your message will be transmitted at a higher volume level than your radio . . . Automatically!

### **IMPORTANT:**

Intercom messages transmitted from the Master automatically SILENCE the Radio. Intercom Override is not used.



If your voice transmitted from a Remote Station is not heard clearly, follow the instructions outlined below.

1. Set Master Station VOLUME/ALL SPEAKERS control between 1/2 and 2/3 clockwise rotation.
2. Release Master Station as described in Paragraph 2 under "HOW TO REMOVE MASTER STATION FOR SERVICE." Tip Master Station slightly forward for access to printed circuit board.
3. Using a small screwdriver, make only a slight adjustment of the Level Control counterclockwise. This will decrease the amount of Radio Volume relative to the Intercom Volume.
4. Check override for improvement. Make further adjustment if necessary.
5. After making adjustments, push Master Station towards wall and replace Locking Pin.

## HELPFUL HINTS

1. If you do not want Radio Music but wish to leave the Intercom system functioning . . . set the Function Control to Auxiliary (AUX).
2. Be sure to leave VOLUME/ALL SPEAKERS control at a reasonably high level. This setting determines the maximum amount of sound available at any Remote Station. However, if VOLUME/ALL SPEAKERS control is too high, and the Remote Stations VOLUME controls are too low, distortion will result, and the Intercom operation will be impaired.
3. If squealing should develop on the Intercom, one of two things has probably occurred.
  - (a) The VOLUME/ALL SPEAKERS control is too high.
  - (b) Two or more speakers are located too close together. If this is the case, first reduce the VOLUME/ALL SPEAKERS control setting ; if this does not stop the squeal, reduce the Inside Speaker volume of one or both of the Speakers that are affecting one another.

If trouble persists, it could be in the wiring, notify your installer.
4. If FM reception is not satisfactory, an external FM Antenna may help. We recommend that a NuTone Model IA-18 Antenna, or its equivalent, be installed on the roof or in the attic, pointed in the direction of the desired FM Stations. If FM stations are widely separated, an omnidirectional - type antenna may be required.
5. HOW TO CLEAN — If the surfaces of the Master or Remote Speakers should become finger-marked or dirty, they can be cleaned by wiping with a damp cloth.

# NUTONE WARRANTY

NuTone products are warranted to be free from defects in material and workmanship for (12) months from original date of installation unless otherwise stated. Light bulbs, dial lights, record changer needles and batteries (with exception of those specifically designated as rechargeable) are not warranted or guaranteed, in any manner for any length of time.

During this warranty period, NuTone will repair or replace, at NuTone's sole option, free of charge, any defective parts returned prepaid to our closest NuTone Authorized Service Center. Please provide the model number of the product, original date of installation and nature of difficulty being experienced.

For the name of the nearest NuTone Authorized Service Center: within the Continental United States, call toll free: 800-543-8687. In Ohio, call 800-582-2030. Residents of Alaska, Hawaii, and all other locations outside the Continental limits of the United States (except Canada) write: NuTone - Division of Scovill, Madison and Red Bank Rds., Cincinnati, Ohio 45227 (Attn: Field Engineering Dept.) In Canada write: NuTone Electrical, Limited, 2 St. Lawrence Avenue, Toronto, Ontario, Canada M8Z - 5T8 (or call 416-251-6580).

Our warranty does not cover damage or failure caused by abuse, misuse, abnormal usage, faulty installation, improper maintenance or any repairs other than those provided by a NuTone Authorized Service Center.

There will be charges rendered for product repairs made after our warranty period has expired (12 months after original date of installation).

Specific parts of certain models have an extended warranty period. These are specially noted in the current NuTone Catalog. NuTone is responsible for parts only during the remaining portions of the warranty period after the first 12 months. Labor is extra - to be charged to the customer. Your NuTone Authorized Service Center can tell you what portions of your particular model may have an extended warranty.

**The foregoing warranties are in lieu of all other warranties expressed or implied, for merchantability or fitness, and there are no obligations or liabilities on the part of NuTone or Scovill Manufacturing Company for consequential damages arising out of or in connection with the use or performance of the product or other indirect damages with respect to loss of use, revenues or profit. There are no warranties which extend beyond the description on the face hereof. The warranties set forth herein may not be extended or altered except by written amendment.**