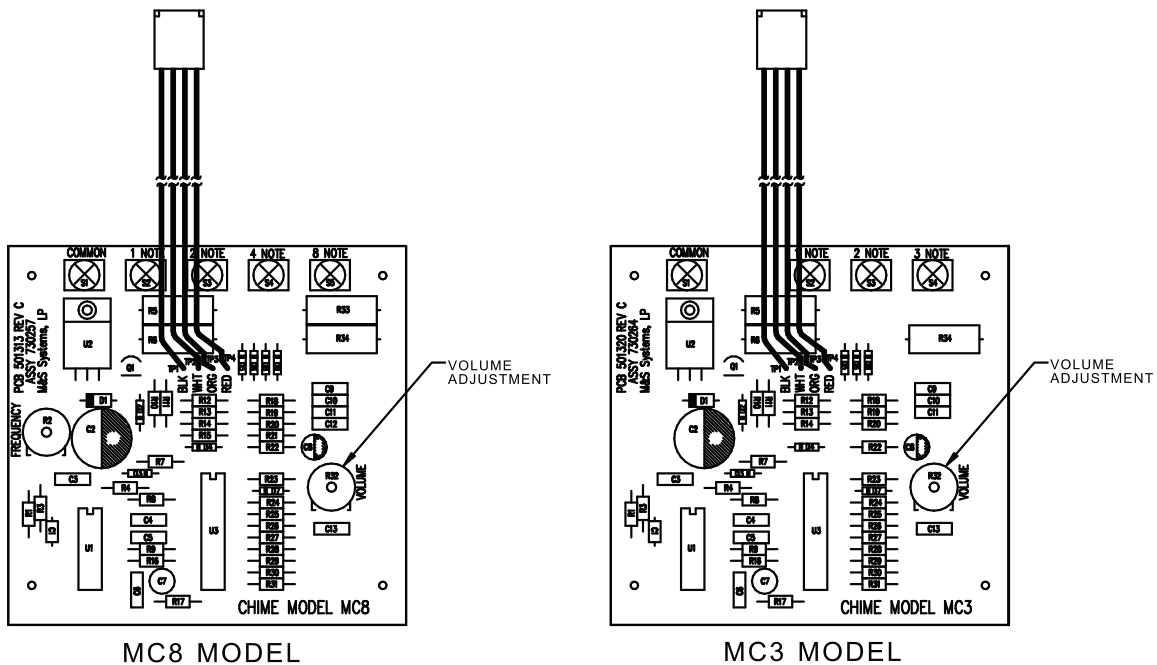


INSTALLATION INSTRUCTIONS

for Chime Models MC3 and MC8

NOTE: These chimes are used with series DMC1 and DMC3-4 MASTER UNITS.

1. Snap the Chime Board onto the 4 plastic standoffs in the wallhousing. See figure 1.
2. BEFORE APPLYING POWER TO MASTER UNIT, plug chime connector into back of master unit at the location indicated by the printing on the circuit board.
3. AFTER SYSTEM INSTALLATION IS COMPLETE apply power and adjust the chime volume to desired level. The volume will increase in the clockwise direction. Make sure that all intercom speaker volume controls are turned to their maximum position before making adjustments.



M&S SYSTEMS™

115715 F

MASTER UNIT WALLHOUSING

