

Installation Instructions

NUTONE MUSICOM™ MASTER UNIT



Fig. 1

MODEL 2500-B: Includes AM, FM & FM Stereo Tuner/Hi-Fidelity Stereo Amplifier and 4-Speed Automatic Stereo/Mono Record Player.

MODEL 2501-B: Same as Model 2500-B plus 8-Track Cartridge-Type Stereo/Mono Tape Player.

MODEL 2502-B: Same as the Model 2500-B plus Cassette-Type Stereo/Mono Tape Player/Recorder.

ALL MODELS TO BE INSTALLED IN MODEL 2500-A ROUGH-IN "A" FRAME AND HOUSING

GENERAL INSTRUCTIONS

1. The MUSICOM Master Unit may be installed at any desired location: independently as in Fig. 1 or, adjacent to the Model 2520 Deluxe Speaker and/or the optional Model 2504-Storage Cabinet(s) as in Fig. 2.
2. The Master Unit should be installed with the controls of the tuner/amplifier at a convenient operating level. (See Model 2500-A Installation Instructions, NuTone Part No. 45823.)
3. All interconnecting wires and cables that terminate at the 2500-A must be installed before proceeding with the installation of the Master Unit. (Figures 11 and 12)
4. The "A" Frame and Housing should be installed square and level with its front flange against the finished wall. (Fig. 3)

INSTALLATION

ALL MODELS:

1. Fig. 3: Using two sheet metal screws (#6 x 1/4") provided, fasten the Ant. Term. Strip to top of "A" Housing at the pilot holes to left of center.
2. Connect the 300-ohm antenna twinlead (supplied with 2500-A) to screw terminals on Ant. Term. Strip.
3. Fig. 3: Install the Mounting Bracket (Frame & Door Assy.) — use #8 x 3/8" sheet metal screws provided — fasten to centered pilot holes in top of "A" Housing with mounting stops against the front mounting.
4. Fig. 3: Install the Tuner/Amplifier Brackets — using #8 x 3/8" sheet metal screws provided — fasten thru screw slots into pilot holes in each side of "A" Housing.

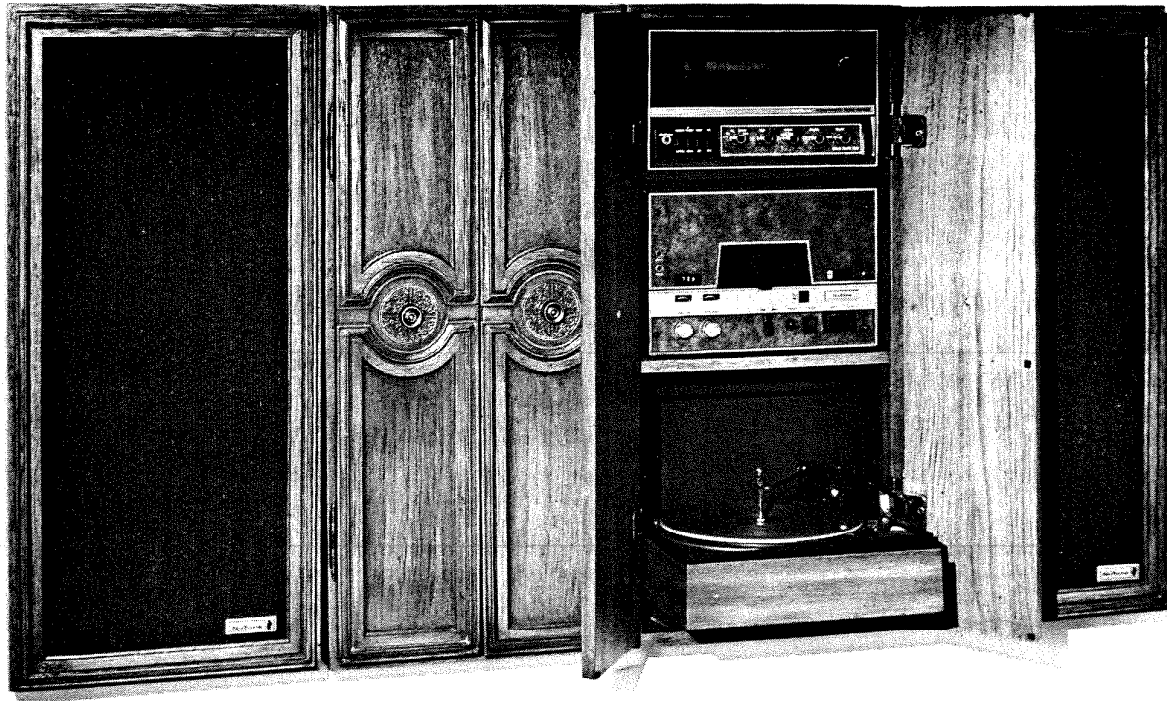


Fig. 2

INSTALLATION

ALL MODELS:

1. Fig. 3: Using two sheet metal screws (#6 x 1/4") provided, fasten the Ant. Term. Strip to top of "A" Housing at the pilot holes to left of center.

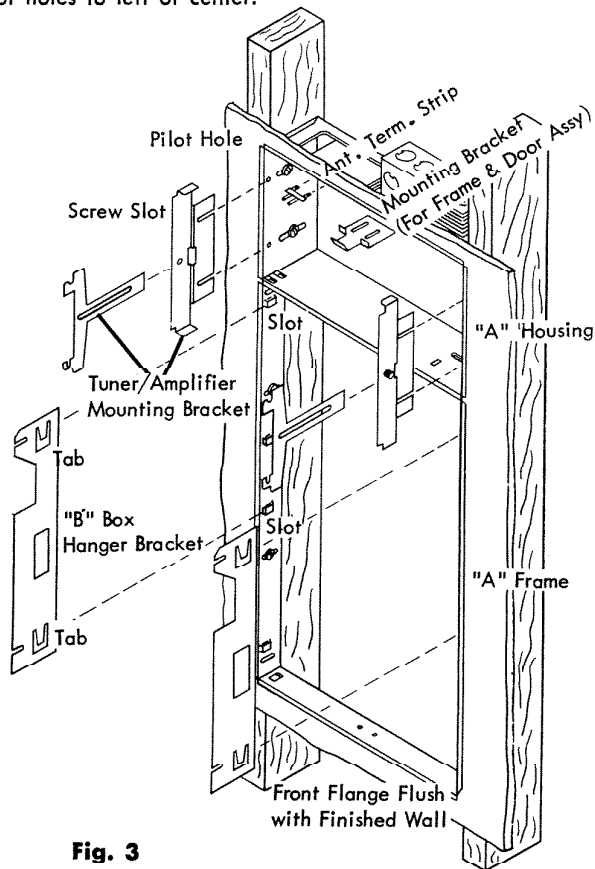


Fig. 3

2. Connect the 300-ohm antenna twinlead (supplied with 2500-A) to screw terminals on Ant. Term. Strip.
3. Fig. 3: Install the Mounting Bracket (Frame & Door Assy.) — use #8 x 3/8" sheet metal screws provided — fasten to centered pilot holes in top of "A" Housing with mounting stops against the front mounting.
4. Fig. 3: Install the Tuner/Amplifier Brackets — using #8 x 3/8" sheet metal screws provided — fasten thru screw slots into pilot holes in each side of "A" Housing. Install "T" shaped Tuner/Amplifier brackets to sides of mounting brackets using knurled nuts provided.
5. Fig. 3: Install "B" Box Hanger Brackets: Insert upper and lower Tabs into Slots in vertical member of "A" Frame. Both Tabs must slide down into their respective Slots simultaneously.

NOTE: Fig. 4: The "B" Box Assembly includes the record player, and blank panel (2500-B) or, 8-Track Tape Player (2501-B) or, Cassette Tape Player/Recorder (2502-B).

6. Fig. 4: Loosen Knurl Nuts on Weld Screws 'B' and remove Blank Panel (or Panel and Tape Player) from "B" Box Assy. before installing the "B" Box in the "A" Frame.

7. Fig. 4: Position "B" Box Assy. in "A" Frame and align the two Weld Screws 'A' on each side of cabinet with the screw slots in the "B" Box Hanger Brackets.
8. Fig. 4: Start Knurl Nuts on each Weld Screw 'A' and slide "B" Box into wall opening until the mounting stops are against the "A" Frame Front Flange.

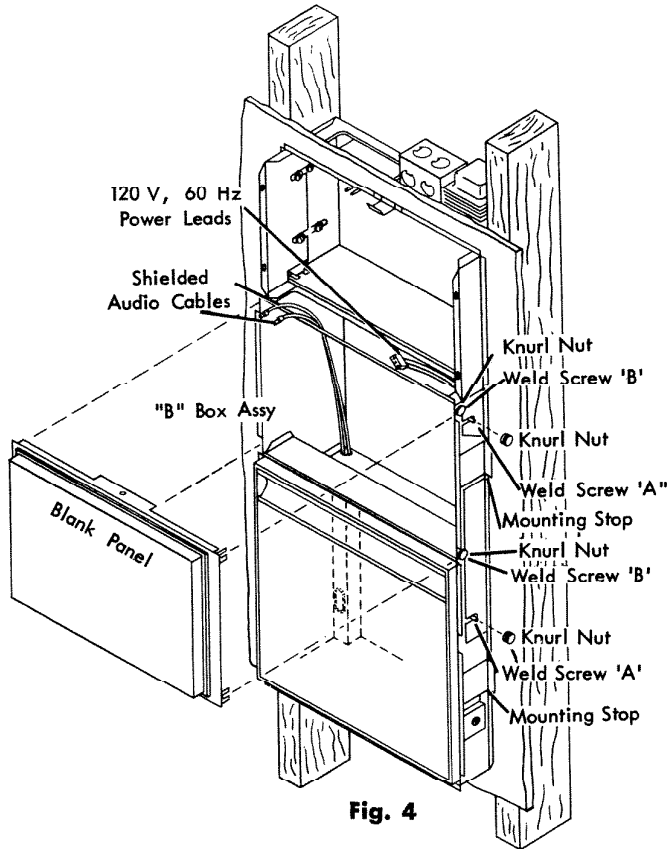


Fig. 4

9. Tighten each knurl nut, making certain that the "B" Box Assy. is square and level.
10. Fig. 5 & 6: Position Tuner/Amplifier in front of "A" housing and engage shoulder rivet (second from bottom) on "B" unit in bottom slots of "T" shaped mounting bracket. Allow "B" unit to tilt forward as shown to facilitate installation of plugs: P6, P7, and P8 to the corresponding sockets and connect the coax antenna lead to the Ant. Term. Strip.
11. Fig. 6: Tilt Tuner/Amplifier to upright position—top shoulder rivets will engage the top "T" bracket cutout. Slide complete unit flush with "A" housing and tighten knurled nuts on each side of mounting brackets.

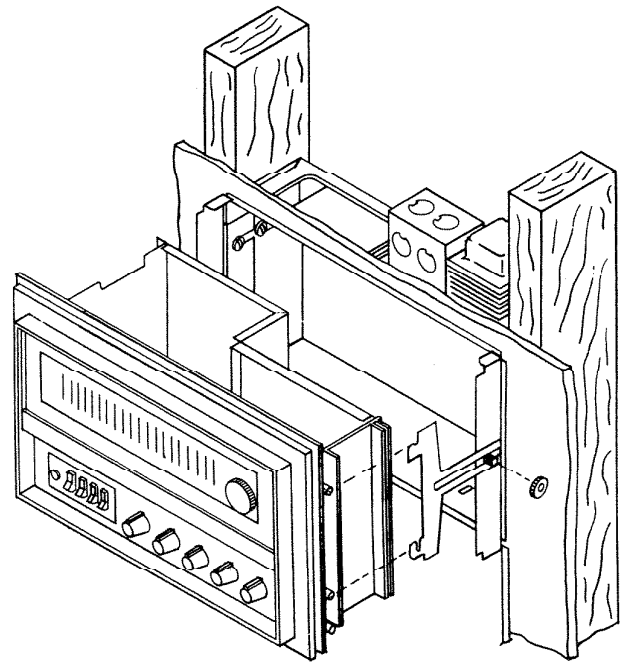
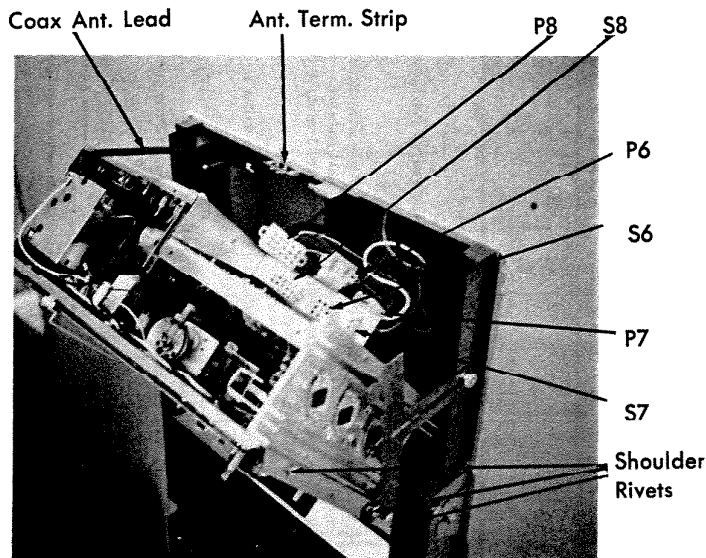


Fig. 6



Wiring Connections
Tuner/ Amplifier to 2500 "A" Housing

Fig. 5

NOTE: Fig. 7: Layout of audio jacks, DC supply socket S9 and switched AC voltage supply socket S10.

Access to jacks and sockets in bottom of Tuner/Amplifier chassis is gained through wiring port in top of "B" Box Assembly.

12. Fig. 8: Connect the shielded audio cables between the Record Player and the Tuner/Amplifier and connect plug P10 to socket S10.

2501-B: Connect 8-Track Tape Player as shown in Fig. 9.

2502-B: Connect Cassette Tape Player/Recorder as shown in Fig. 10.

13. Fig. 4 (see note 6 above): Replace blank panel; 8-track player panel or panel and Cassette chassis as required. Secure in place by tightening knurl nuts on two weld screws "B" on each side of panel.

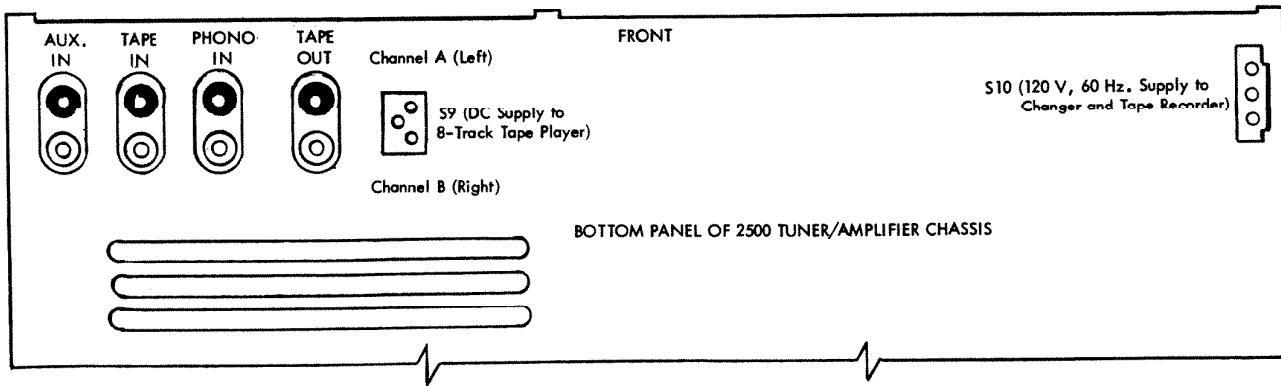


Fig. 7

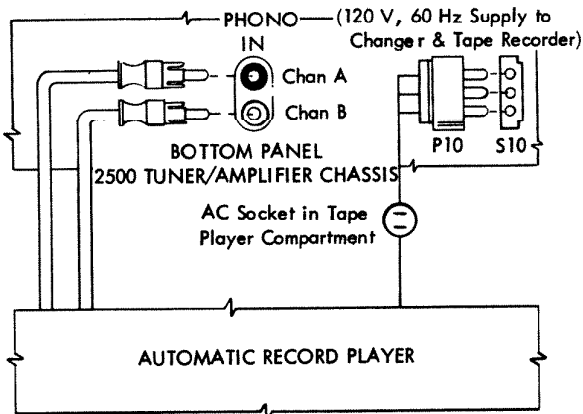


Fig. 8

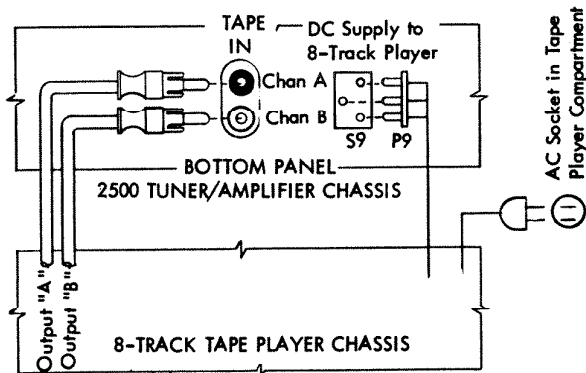


Fig. 9

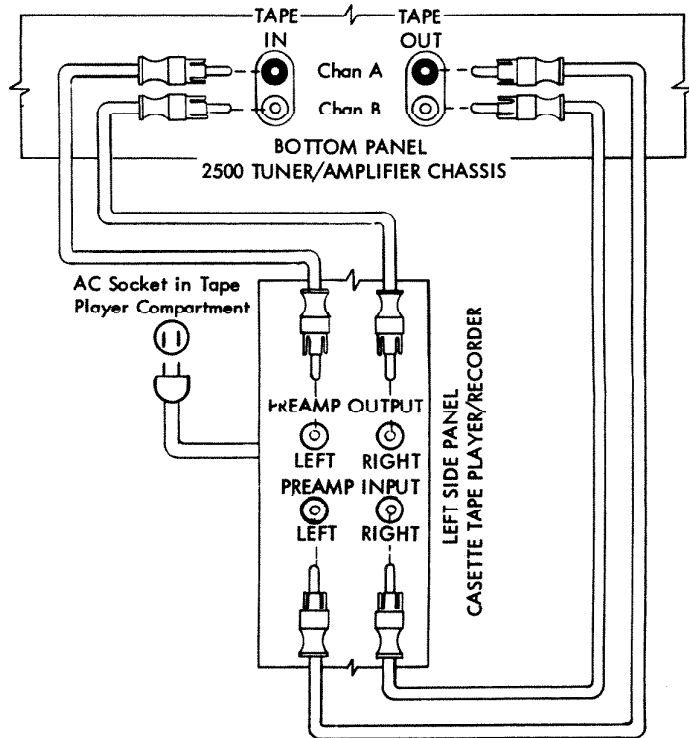


Fig. 10

NOTE: MODELS: 2501-B and 2502-B – MAKE CERTAIN THAT ALL WIRES AND CABLES ARE FREE AND CLEAR OF THE TAPE PLAYER CHASSIS AND MECHANISM.

COMPLETE THE INSTALLATION BY ADDING THE MODEL 2522 FRAME AND DOOR ASSEMBLY – SUPPLIED SEPARATELY.

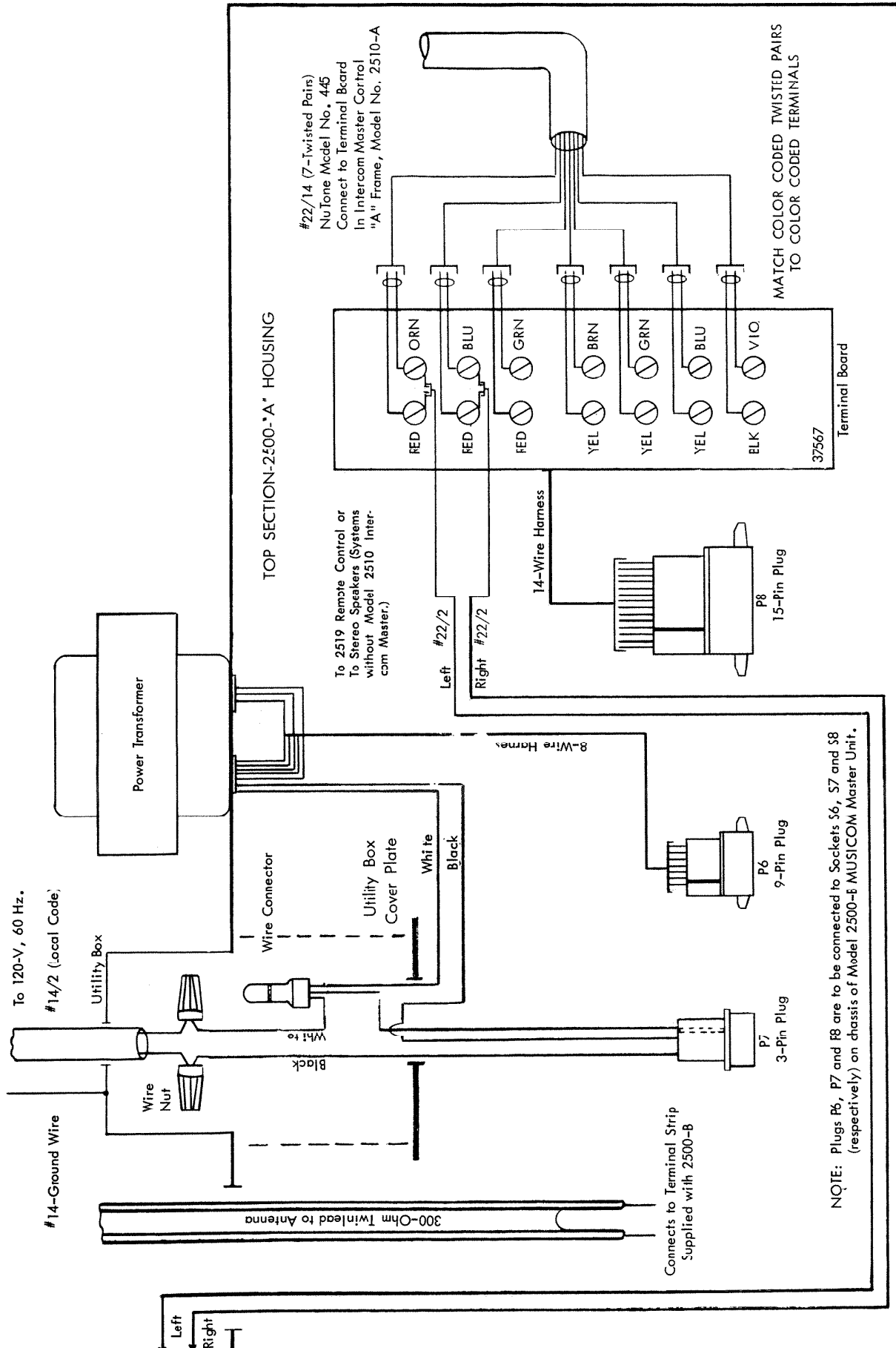
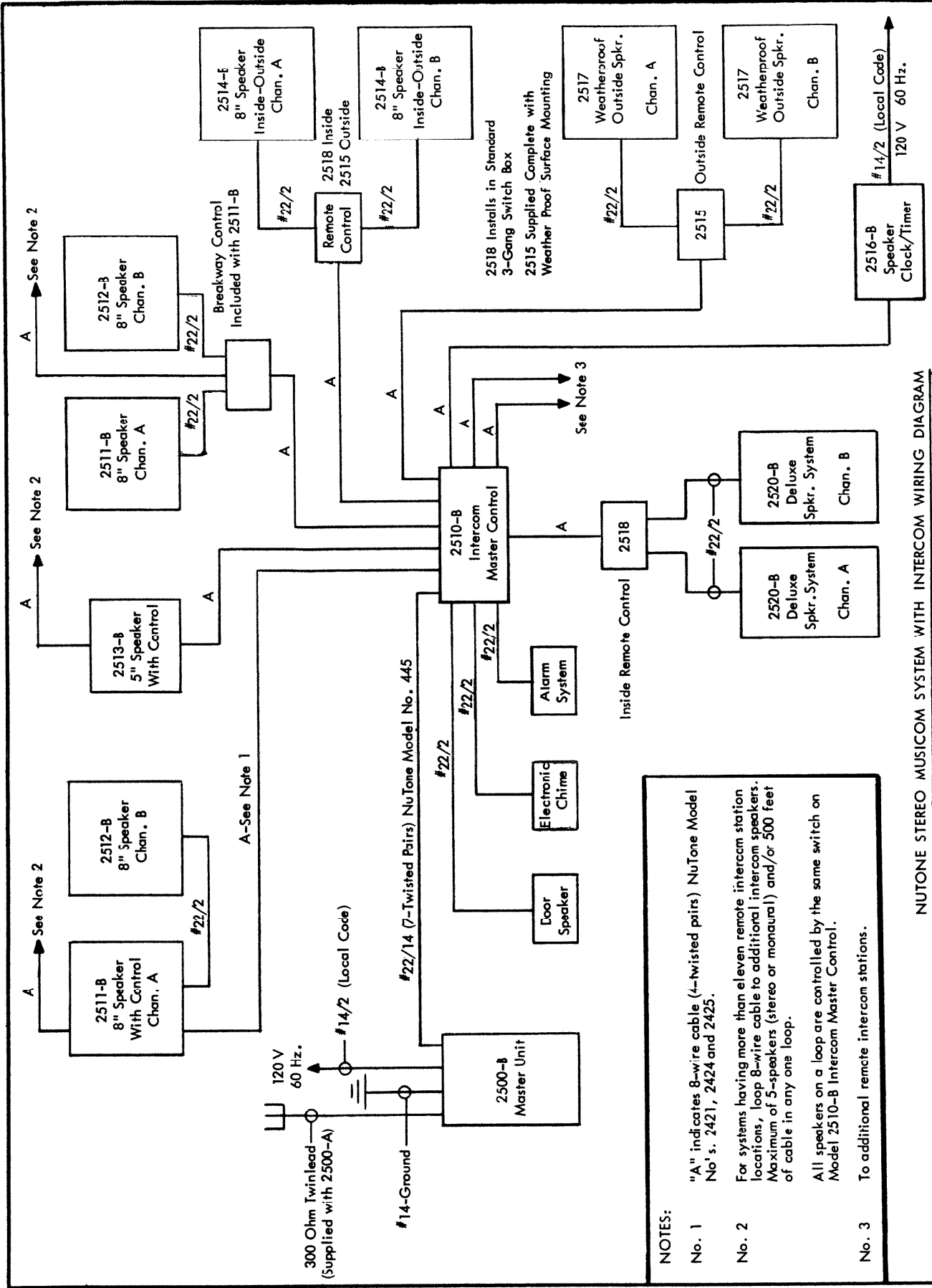


Fig. 11



NUTONE STEREO MUSICOM SYSTEM WITH INTERCOM WIRING DIAGRAM

Fig. 12

NOTES:

No. 1 "A" indicates 8-wire cable (4-twisted pairs) NuTone Model No's. 2421, 2424 and 2425.

No. 2 For systems having more than eleven remote intercom station locations, loop 8-wire cable to additional intercom speakers. Maximum of 5-speakers (stereo or monaural) and/or 500 feet of cable in any one loop.

No. 3 All speakers on a loop are controlled by the same switch on Model 2510-B Intercom Master Control.

No. 3 To additional remote intercom stations.

2518 Installs in Standard 3-Gang Switch Box
2515 Supplied Complete with Weather Proof Surface Mounting

2516-B Speaker Clock/Timer #14/2 (Local Code) 120 V 60 Hz.

2517 Weatherproof Outside Spkr. Chan. A

2517 Weatherproof Outside Spkr. Chan. B

2515 Outside Remote Control

2516-B Speaker Chan. A

2516-B Speaker Chan. B

2518 Inside Remote Control

2520-B Deluxe Spkr. System Chan. A

2520-B Deluxe Spkr. System Chan. B

2511-B 8" Speaker Chan. A

2512-B 8" Speaker Chan. B

2513-B 5" Speaker With Control

2514-E 8" Speaker Inside-Outside Chan. A

2514-B 8" Speaker Inside-Outside Chan. B

2515 Outside Remote Control

2516-B Speaker Chan. A

2516-B Speaker Chan. B

2517 Weatherproof Outside Spkr. Chan. A

2517 Weatherproof Outside Spkr. Chan. B

2518 Inside Remote Control

2520-B Deluxe Spkr. System Chan. A

2520-B Deluxe Spkr. System Chan. B

Alarm System

Electronic Chime

Door Speaker

2500-B Master Unit

2510-B Intercom Master Control

2511-B 8" Speaker Chan. A

2512-B 8" Speaker Chan. B

2513-B 5" Speaker With Control

2514-E 8" Speaker Inside-Outside Chan. A

2514-B 8" Speaker Inside-Outside Chan. B

2515 Outside Remote Control

2516-B Speaker Chan. A

2516-B Speaker Chan. B

2517 Weatherproof Outside Spkr. Chan. A

2517 Weatherproof Outside Spkr. Chan. B

2518 Inside Remote Control

2520-B Deluxe Spkr. System Chan. A

2520-B Deluxe Spkr. System Chan. B

Alarm System

Electronic Chime

Door Speaker

2500-B Master Unit