

Chime Module

MODEL: IA-28

Parts # 43272-REB

For use with Models IM-2003, IM-3204, IM-3003, IM-3103, IM-3303, IMA-4006, IM-4006, IM-4406, IM-5000, IM-5006 or SR-9000 Series Radio Intercom, Selective Call Intercom and Stereo Receiver Systems.

MOUNTING CHIME MODULE - MODELS IM-3204 or SR-9000

Refer to Figure 1.

1. Be sure power is removed from master before installing chime module.
2. Align the chime module with the plastic molded mounting bracket located in the master unit. Apply firm, even pressure to each side of the chime module. The chime module will snap into place. Fasten module to panel with one screw (supplied with chime module).
3. Plug 4 pin plug from chime module into the mating jack on the master board so red stripe on 4 wire cable is closest to top of master unit (be sure the plug is aligned correctly with the master stations jack).

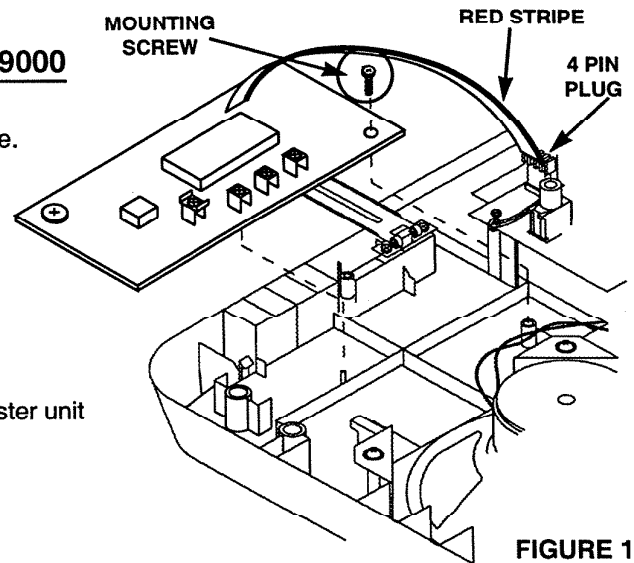


FIGURE 1

MOUNTING CHIME MODULE - MODEL IM-3303

Refer to Figure 2.

1. Be sure power is removed from master before installing chime module.
2. Align the chime module with the plastic molded mounting bracket located in the master unit. Apply firm, even pressure to each side of the chime module. The chime module will snap into place. Fasten module to panel with one screw (supplied with chime module).
3. Plug 4 pin plug from chime module into the mating jack on master board so red stripe on 4 wire cable is closest to top of master unit (be sure the plug is aligned with the master stations jack).

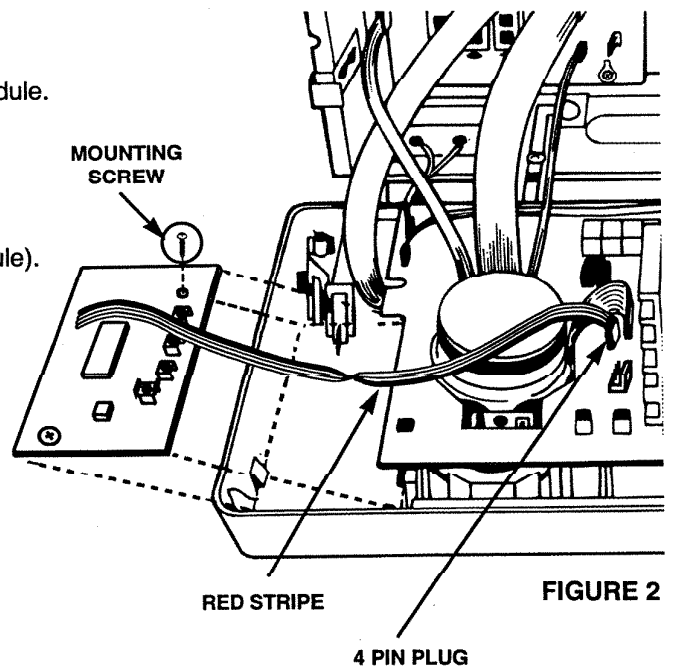


FIGURE 2

MOUNTING CHIME MODULE – MODEL IM-4406

Refer to Figure 3.

1. Be sure power is removed from master before installing chime module.
2. Align the chime module with the plastic molded mounting bracket located in the master unit. Apply firm, even pressure to each side of the chime module. The chime module will snap into place.
3. Plug 4 pin plug from chime module into the mating jack on the master. When properly installed, the ribbon cable will point away from the master station's circuit boards, as illustrated (be sure the plug is aligned correctly with the master stations jack).

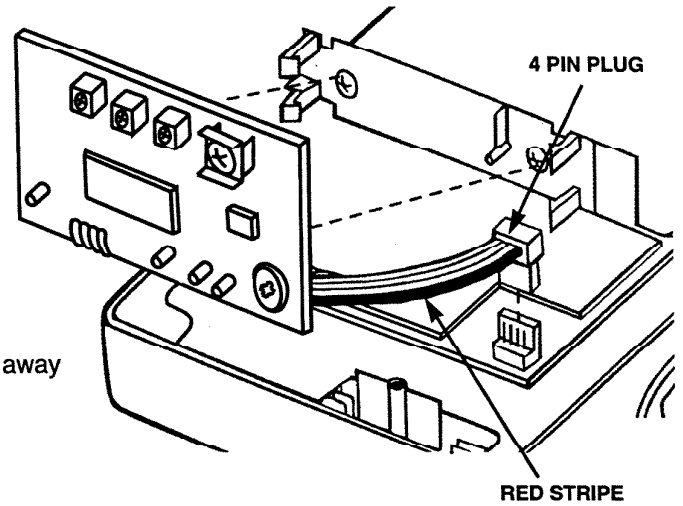


FIGURE 3

MOUNTING CHIME MODULE – IM-5000

Refer to Figure 4.

Be sure power is removed from master before installing chime module.

- Align the chime module with the left plastic molded mounting bracket, then lower the right side of the module until it snaps into place. Fasten module to base with one screw (supplied with chime module).
- Insert 4 pin plug from chime module into the mating jack on the master marked "CHIME MODULE". Position the cabled side of the connector closest to the heat sink when plugged into the 4 pin jack. The red stripe on the ribbon cable is positioned towards the bottom of the unit (be sure the plug is aligned correctly with the master station jack).

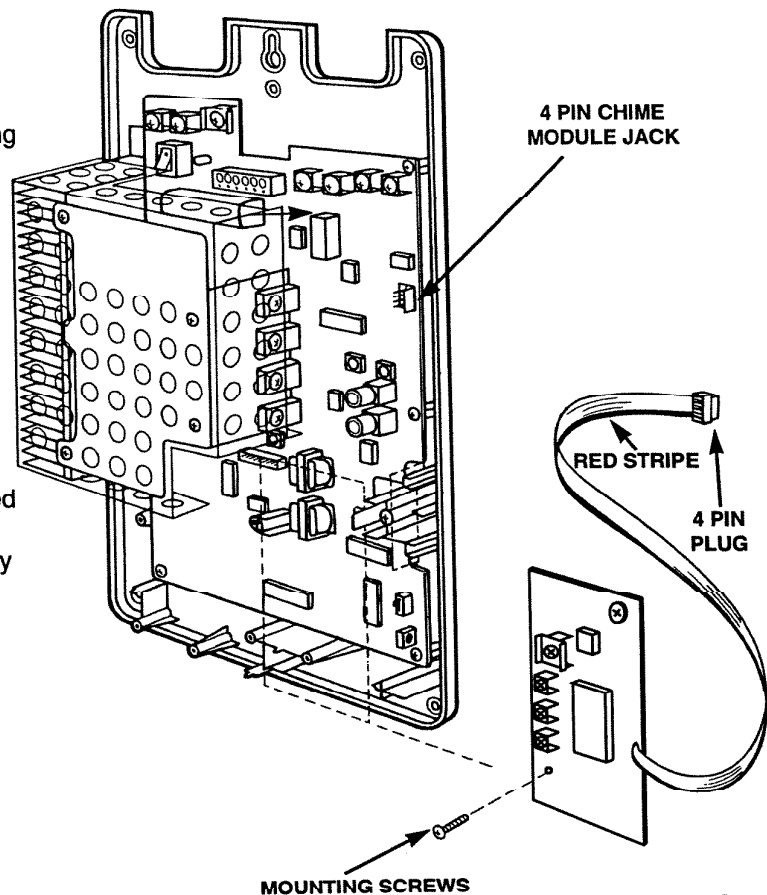


FIGURE 4

WIRING CONNECTIONS & VOLUME ADJUSTMENT

Refer to Figure 5. Connect pushbutton wires to screw terminals on the Chime Module as follows:

- One front pushbutton wire to the screw terminal marked FRONT
 - One rear pushbutton wire to the screw terminal marked REAR
 - One side pushbutton wire to the screw terminal marked SIDE
 - Connect all common pushbutton wires to large screw terminal marked PB COMMON.
- NOTE:** Pushbuttons may be connected as desired. The terminal marked FRONT plays an 8-note Westminster chime; the terminal marked REAR plays a 1-note chime; the terminal marked SIDE plays a 2-note chime.
 - Reapply power.
 - Adjust volume control on chime module clockwise to increase chime volume.

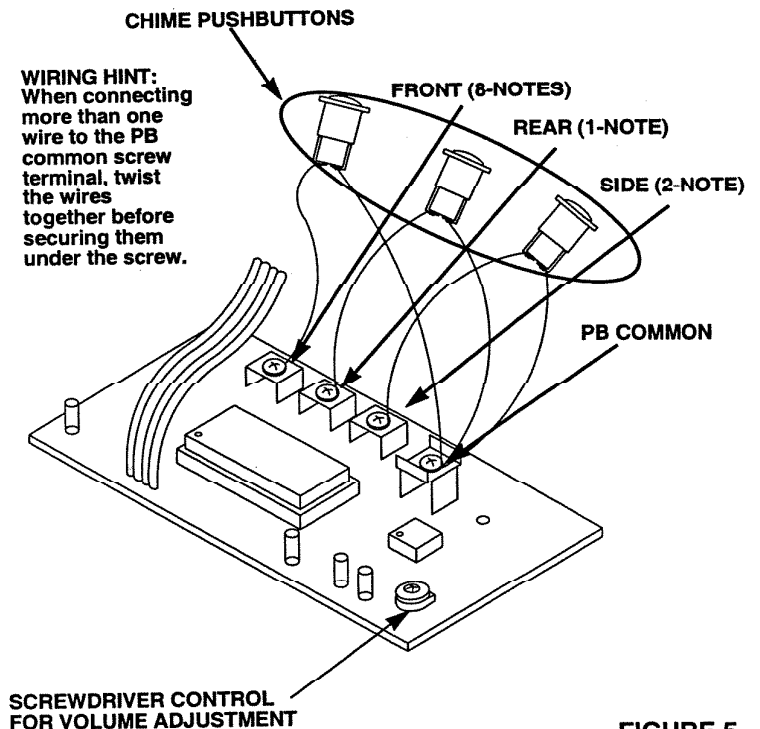


FIGURE 5

NuTone®

Product specifications subject to change without notice.

Madison and Red Bank Roads, Cincinnati, Ohio 45227
Printed in U.S.A., Rev. 2/00, Part No. 62902