

# MODEL IA-29 OLD NuTone

READ & SAVE THESE INSTRUCTIONS!  
INSTALLATION INSTRUCTIONS

## CHIME MODULE

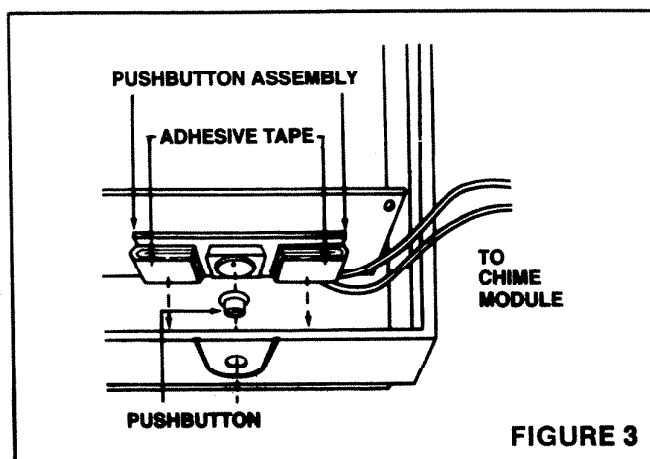
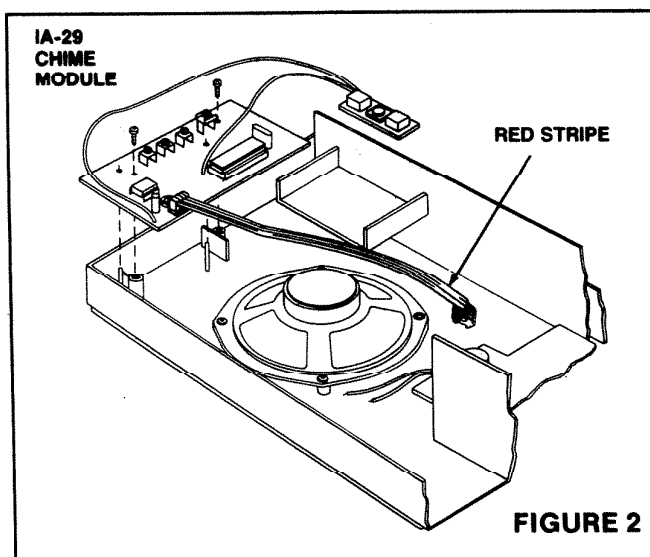
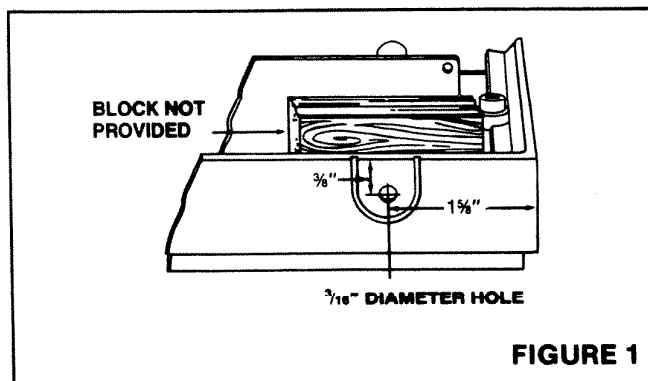
### MODEL IA-29

For use with Models IM-2003, IM-3003, IMA-4006 or IM-5006 Series Radio Intercom Systems.

#### MOUNTING CHIME MODULE— IM-2003 and IM-3003

1. Refer to Figure 1. Drill a  $\frac{3}{16}$ " diameter hole in the bottom of speaker side of the front panel,  $1\frac{1}{8}$ " from corner of panel and  $\frac{3}{8}$ " from rear of panel. **Before drilling, place a thin block of wood (not provided) between the panel and the P.C. board to ensure that the drill bit does not contact the P.C. board.**
2. When drilling the front panel of a mounted Master Unit, it is necessary to first pull the bottom of the front panel away from the wall (with panel in vertical position).
3. Place the Chime Module onto posts in Master Unit as shown in Figure 2. Make sure module seats onto posts. Model IM-3003 Master Unit is shown in Figure 2. Model IM-2003 is identical.
4. Refer to Figure 2. Insert two provided screws into mounting holes in Chime Module.
5. Refer to Figure 3. Place pushbutton through hole in panel.
6. Remove backing from adhesive tape on pushbutton assembly of Chime Module, center assembly over head of pushbutton, and press assembly onto front panel as shown in Figure 3. Be certain that pushbutton assembly does not project over edge of front panel.

**Carefully set pushbutton assembly into place. The tape on the assembly has a powerful adhesive and cannot be removed once pressed into place.**



## MOUNTING CHIME MODULE—IMA-4006

**NOTE:** Wiring connections must be made first when installing the Chime Module in Model IMA-4006.

1. Refer to Figure 4. Place Chime Module into slot on master unit. **CAUTION: BE SURE SPEAKER TERMINALS DO NOT TOUCH CHIME MODULE.**
2. Refer to Figure 4. Attach module by inserting one of two screws provided into mounting hole in Chime Module.
3. Refer to Figure 4. Place insulator on back of Chime Module and secure with wire tie.
4. Remove adhesive tape pads from pushbutton assembly.
5. Refer to Figure 5. Remove one screw from U-bracket located below microphone board and attach pushbutton assembly with the screw that was removed.

## MOUNTING CHIME MODULE—IM-5006

**NOTE:** Wiring connections must be made first when installing the Chime Module in Model IM-5006 Master Unit.

Refer to Figure 6.

1. Install fische paper backing onto the chime module. As illustrated, an additional hole must be cut in the fische paper.
2. Locate the chime module mounting bracket behind the Control P.C. Board.
3. Align the holes in the Chime Module with the pins on the mounting bracket. Apply firm, even pressure to each side of the Chime Module. The Chime Module will snap into place.
4. Locate the chime selector switch mounting bracket.
5. Remove the chime selector switch retaining screw.
6. Slide the chime selector switch into the notch and re-install the retaining screw.

## WIRING CONNECTIONS

1. Refer to Figure 7. Connect pushbutton wires to screw terminals on the Chime Module as follows: one front pushbutton wire to the screw terminal marked FRONT; one rear pushbutton wire to the screw terminal marked REAR; one side pushbutton wire to the screw terminal marked SIDE. Connect all common pushbutton wires to large screw terminal marked PB COMMON.
2. **NOTE:** Pushbuttons may be connected as desired. The terminal marked FRONT plays your choice of 12 chime options; the terminal marked REAR plays a 1-note chime; the terminal marked SIDE plays a 2-note chime.
3. Connect the 4-pin ribbon cable from the Chime Module to the 4-pin connector on the Master Unit.

**WARNING: AS ILLUSTRATED, FAILURE TO OBSERVE POLARITY WILL RESULT IN PERMANENT DAMAGE TO THE CHIME MODULE.**

Refer to Figure 8 for IM-2003, Figure 9 for IM-3003, Figure 10 for IMA-4006 or Figure 11 for IM-5006.

**IMPORTANT:** For Models IMA-4006 or IM-5006, mount the Chime Module into the master unit BEFORE connecting the 4-pin ribbon cable.

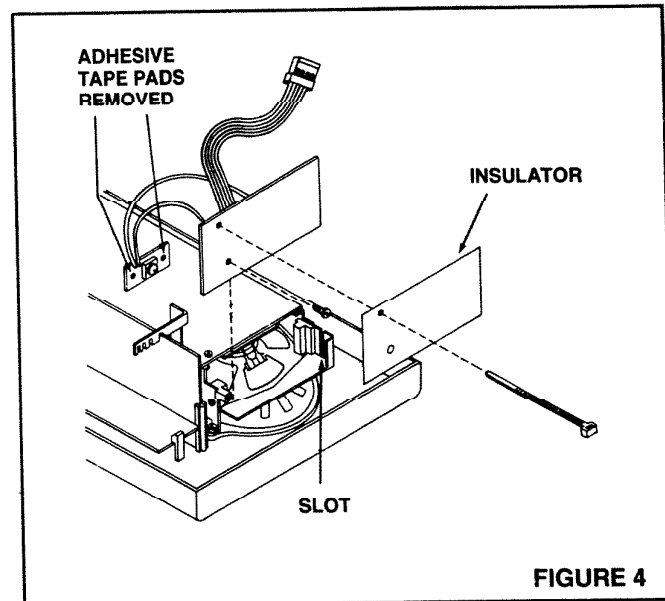


FIGURE 4

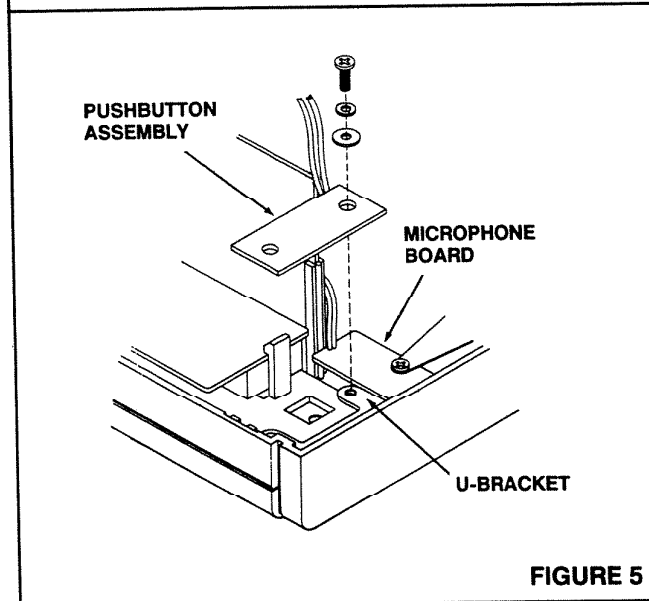


FIGURE 5

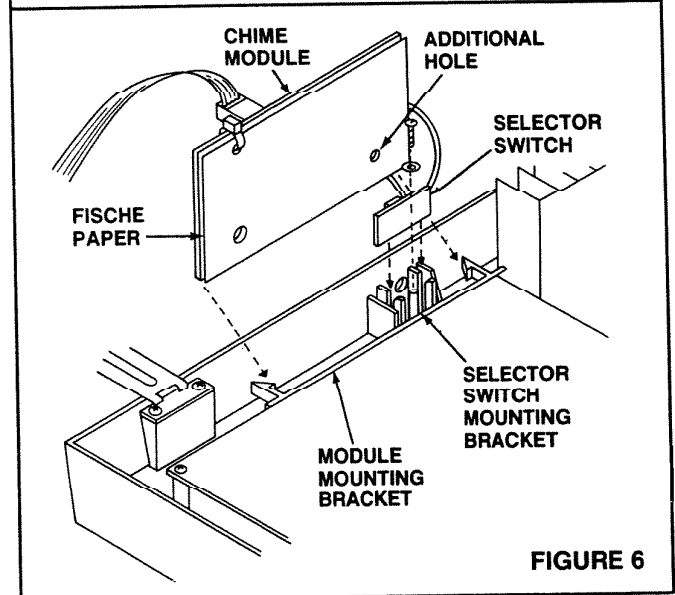
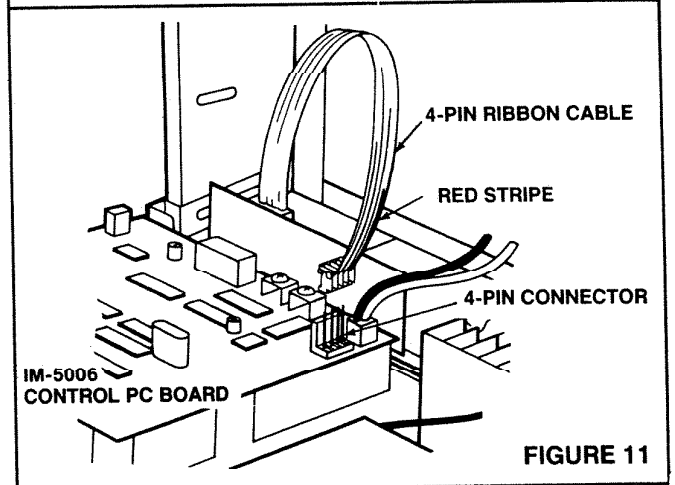
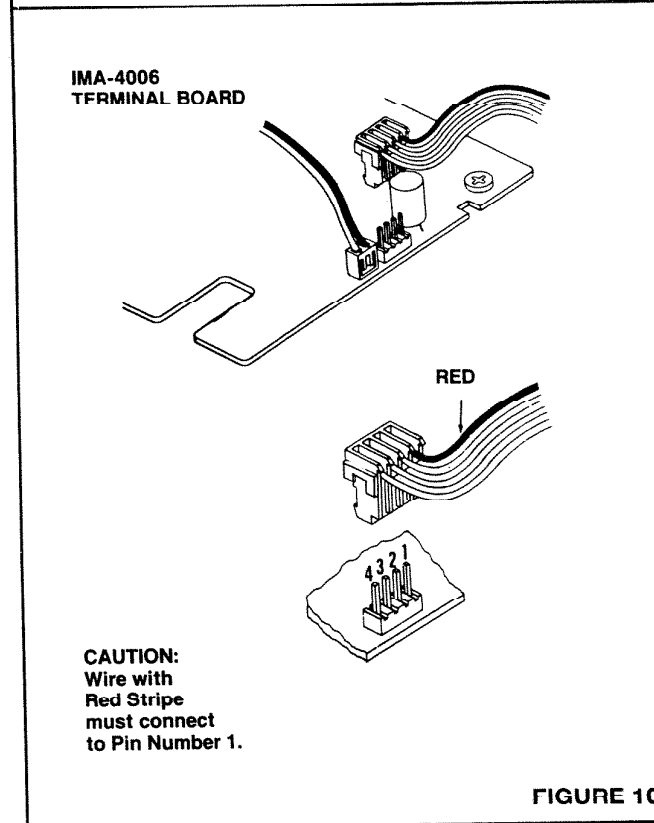
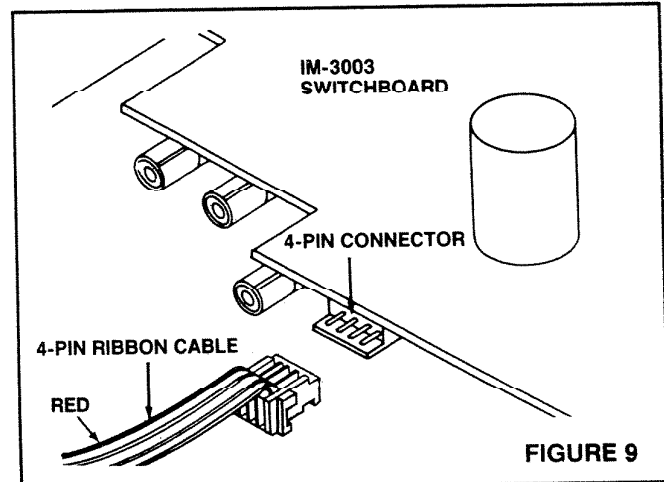
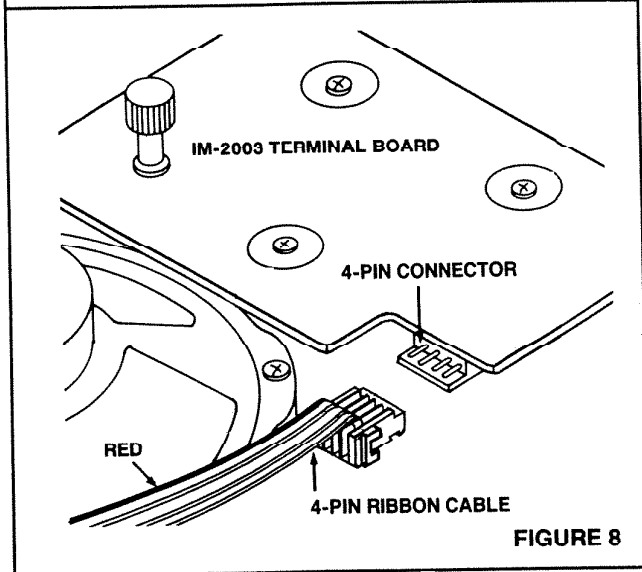
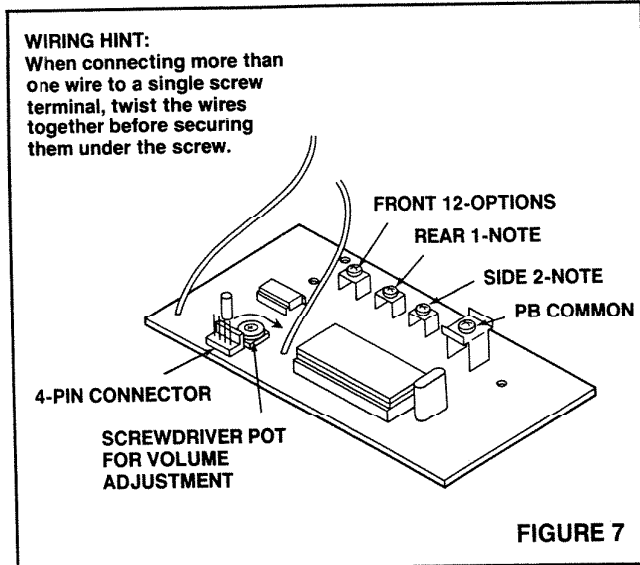


FIGURE 6

## VOLUME ADJUSTMENT

Refer to Figure 7. If the Chime Module's volume requires adjustment, use the screwdriver pot on the Chime Module to adjust the volume.

Turn the pot clockwise to increase volume; turn counterclockwise to decrease volume.



## SELECTING CHIME TUNE

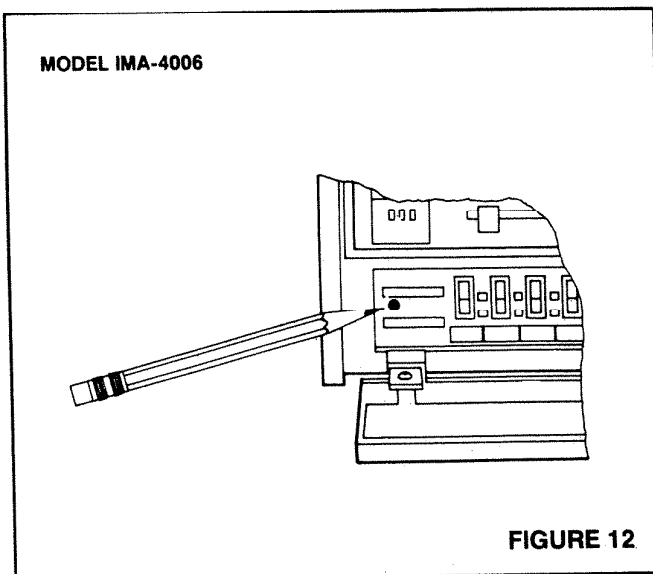
Refer to back page for Tune List.

1. The IA-29 has 12 optional tunes. The 8-note Westminster Chime is option No. 1 and will automatically be selected whenever power has temporarily been lost to the intercom system.
2. Refer to Figure 12. To advance one tune at a time, press and release the pushbutton at the bottom of the front panel (on IMA-4006 open the lower left control door panel and insert pencil into hole to activate pushbutton).
3. To advance more than one tune at a time, keep the pushbutton depressed. The module will chime only the first note of each successive tune. Release the pushbutton as soon as you hear the first note of the tune immediately BEFORE your selection. For example, if you want to select "Greensleeves," release the button after you hear the first note of "Dixie."
4. After tune No. 12 the module will return to tune No. 1 (8-note Westminster).
5. Pressing the pushbutton anytime during the chiming of an option will immediately end the option and advance the Chime Module to the next option.

## TUNE LIST

1. Westminster Chimes (8 notes)
2. Westminster Chimes (4 notes)
3. Anniversary Waltz
4. Beethoven's Fifth
5. Dixie
6. Greensleeves
7. Happy Birthday
8. Jingle Bells
9. Joy To The World
10. Mazel Tov
11. Oh Tannebaum
12. Star Spangled Banner

**DO NOT DISCARD THESE INSTRUCTIONS.  
KEEP THIS INSTRUCTION SHEET AND TUNE  
LIST WITH THE OPERATING INSTRUCTIONS  
FOR THE RADIO-INTERCOM SYSTEM.**



Product specifications subject to change without notice.

# NuTone

Madison and Red Bank Roads, Cincinnati, Ohio 45227  
Printed in Taiwan Rev. 4/91, Part No. 49620