

Nutone

INTERCOM · MODELS 2015 - 2016

PARTS NOT COVERED BY FIRST ISSUE OF SERVICE MANUAL

Effective Date
NOV. 15, 1958

PART NUMBER	PART DESCRIPTION	LIST PRICE
7521-5	Master "A" Wall Box — Assembly only	
7630-2	6-32 x 1 Phil. Oval Hd. Screw, Brass (To mount Copper Anodized Master Panel to wall box)	
7630-39	6-32 x 1 Phil. Oval Hd. Screw, Nickel (To mount Brush Chrome Master Panel to wall box)	
7551	Room designation name strip (paper gum backing)	
31011	Grille "Dot" fasteners (To hold Grille to chassis front)	
37002	Grille backing (black fiber)	

NUTONE, INC., Madison and Red Bank Roads, Cincinnati 27, Ohio

EASTERN SALES 4003 Empire State Building, 350 5th Ave., New York 1
MIDWEST SALES ..Old Orchard Arcade, Skokie, Illinois, (suburb of Chicago)
WESTERN SALES 237 West 30th St., Los Angeles 7

SOUTHWEST SALES 820 North Harwood St., Dallas 1
NORTHWEST SALES 408 Ninth Ave. North, Seattle 9
NORTH CALIFORNIA 308 11th St., San Francisco 3

Nutone

SERVICE MANUAL SUPPLEMENTARY PARTS PRICE LIST INTERCOM-RADIO

Models 2015 - 2016

Effective Date
NOV. 15, 1958

REF. NUMBER	PART NUMBER	LIST PRICE	REF. NUMBER	PART NUMBER	LIST PRICE	REF. NUMBER	PART NUMBER	LIST PRICE
V1	7190		C28	24B51		R9	33007	
V2	7191		C29	24B51		R10	33008	
V3	7189		C30	24B51		R11	33005	
V4	7189		C31	B20141P14		R12	33009	
V5	7188		C32	24B42		R13	33005	
V6	7187		C33	24B50		R14	33004	
V7	7186		C34	24B52		R15	33010	
C1A	23B38		C35	24B51		R16	33005	
C1B			C36	24B49		R17	33004	
C1C			C37	24B44		R18	33011	
C2	23B34		C38	24B52		R19	33008	
C3	24B20		C39	24B41		R20	33008	
C4	24B42		C40	24B46		R21	33009	
C5	24B51		C41	24B42		R22	33012	
C6	24B44		C42	24B36		R23	33013	
C7	24B20		C43	B20047P56		R24	33014	
C8	24B20		C44	24B47		R25	33015	
C9	24B44		C45	24B42		R26	33010	
C10	24B51		C46	24B42		R27	33014	
C11	24B33		C47	24B42		R28	33016	
C13	25A6		C48	24B46		R29	33017	
C14	B20141P14		C49	24B42		R30	33002	
C15	B20141P14		C50	24B46		R31	33018	
C17	24B40		C51	B20047P80		R32	33000	
C18	24B38		C52	B20047P60		R33	33001	
C19	24B46		C53	24B51		K1	5782	
C20	24B53		R1	15B16		K2	5783	
C21	24B50		R2	15B19		T1	32B23	
C22	24B44		R3	15B14		T2	32B41	
C23	24B44		R4	15B16		L1	31A20	
C24	24B51		R5	33004		L2	31A11	
C25	24B51		R6	33005		L3	31A13	
C26	24B51		R7	33006		L4	31A19	
C27	24B42		R8	33005		L5	31A14	

NUTONE, INC., Madison and Red Bank Roads, Cincinnati 27, Ohio

EASTERN SALES 4003 Empire State Building, 350 5th Ave., New York 1
MIDWEST SALES Old Orchard Arcade, Skokie, Illinois, (suburb of Chicago)
WESTERN SALES 237 West 30th St., Los Angeles 7

SOUTHWEST SALES 820 North Harwood St., Dallas 1
NORTHWEST SALES 408 Ninth Ave. North, Seattle 9
NORTH CALIFORNIA 308 11th St., San Francisco 3

Nutone

SERVICE MANUAL SUPPLEMENTARY PARTS PRICE LIST INTERCOM-RADIO

Models 2015 - 2016

Effective Date
NOV. 15, 1958

REF. NUMBER	PART NUMBER	LIST PRICE	REF. NUMBER	PART NUMBER	LIST PRICE	REF. NUMBER	PART NUMBER	LIST PRICE
L6	32A32			94X18				
L7	31A1			94X17				
L8	31A22			94X23				
L9	32B24			94X24				
L10	32B25			71C26				
L11	32B24			71C20				
L12	32B25			86A13				
L13	32B28			72A115				
L14	31A21			95L71				
L15	31A21			95L73				
L16	31A21							
L17	31B8							
L18	31B8							
SP1	33B8							
SP2	33A9							
SP3	33A5							
M1	42B5							
M2	41X6							
M3	41X6							
M4	25B4							
M5	43B28							
M6	43B15							
M7	43B17							
M8	43A20							
M9	54A14							
M10	55A4							
M11	56A13							
	84A15							
	84A7							
	84A16							
	84A8							
	84A17							
	84A9							
	84A8							

NUTONE, INC., Madison and Red Bank Roads, Cincinnati 27, Ohio

EASTERN SALES 4003 Empire State Building, 350 5th Ave., New York 1
MIDWEST SALES Old Orchard Arcade, Skokie, Illinois, (suburb of Chicago)
WESTERN SALES 237 West 30th St., Los Angeles 7

SOUTHWEST SALES 820 North Harwood St., Dallas 1
NORTHWEST SALES 408 Ninth Ave. North, Seattle 9
NORTH CALIFORNIA 308 11th St., San Francisco 3

Nutone

Supplemental Information

MODELS 2015-2016

Intercom—Radio

The following parts have been changed or added in later productions. The schematic diagram on pages 2 and 3 incorporates these changes.

Parts Changes

V7, 35C5—Changed to 50C5.
 C1, Electrolytic Capacitor, 80-40-40 mfd @ 150V—changed to 80-40-40 mfd @ 200V.
 R32, Resistor, 1000 ohms, 7 Watts—changed to 1500 ohms, 7 Watts.

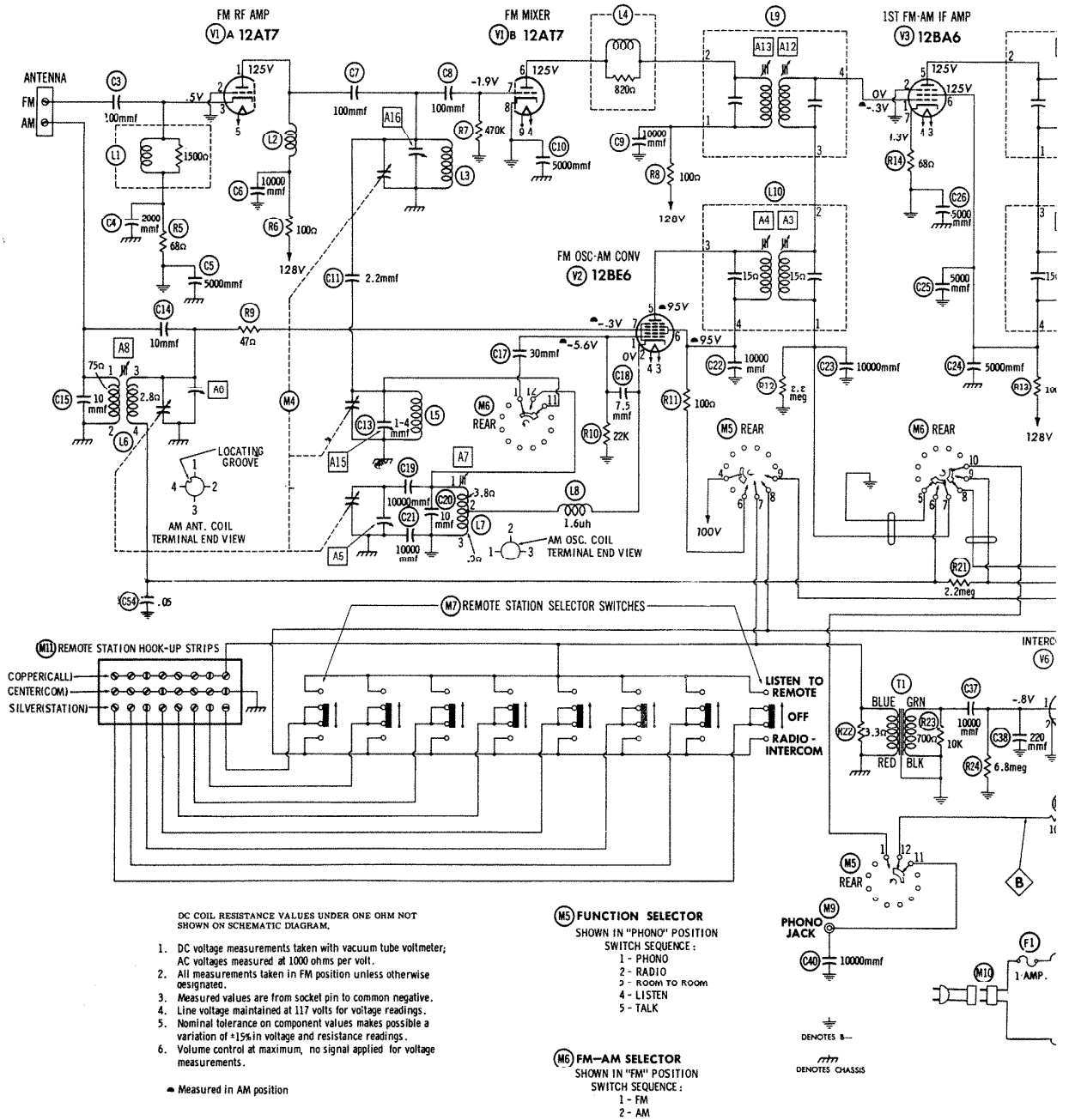
R33, Resistor, 15 ohms, 5 Watts—changed to 25 ohms, 5 Watts.
 C43, Capacitor, .01 mfd @ 400 Volts—changed to .01 mfd @ 1000 Volts.
 M1, Silicon Rectifier, 150 ma.—changed to 500 ma.

Parts Added

C54, Capacitor, .05 mfd @ 600 Volts.
 F1, Fuse, 1 amp, Slo-Blo, and Fuse Holder.

PARTS LIST

Ref. No.	Nutone Part No.	Description	Ref. No.	Nutone Part No.	Description
V7		50C5, AF Output	R32		Resistor, 1500Ω, 7 Watt, Wirewound
C1A	23B38	Capacitor, Electrolytic, 80 mfd @ 200V	R33		Resistor, 25Ω, 5 Watts, Wirewound
C1B		Capacitor, Electrolytic, 40 mfd @ 200V	F1	53A10	Fuse, 1 Amp, Slo-Blo
C1C		Capacitor, Electrolytic, 40 mfd @ 200V		53A14	Fuseholder
C43	24B46	Capacitor, .01 mfd @ 1000V, Molded Tubular	M1	42A12	Silicon Rectifier
C54	35200-1002	Capacitor, .05 mfd @ 600V, Molded Tubular			



DC COIL RESISTANCE VALUES UNDER ONE OHM NOT SHOWN ON SCHEMATIC DIAGRAM.

1. DC voltage measurements taken with vacuum tube voltmeter; AC voltages measured at 1000 ohms per volt.
2. All measurements taken in FM position unless otherwise designated.
3. Measured values are from socket pin to common negative.
4. Line voltage maintained at 117 volts for voltage readings.
5. Nominal tolerance on component values makes possible a variation of $\pm 15\%$ in voltage and resistance readings.
6. Volume control at maximum, no signal applied for voltage measurements.

➤ Measured in AM position

(M5) FUNCTION SELECTOR

SHOWN IN "PHONO" POSITION
 SWITCH SEQUENCE:
 1 - PHONO
 2 - RADIO
 3 - ROOM TO ROOM
 4 - LISTEN
 5 - TALK

(M6) FM-AM SELECTOR

SHOWN IN "FM" POSITION
 SWITCH SEQUENCE:
 1 - FM
 2 - AM

A PHOTOFACT STANDARD NOTATION SCHEMATIC
 Howard W. Sams & Co., Inc. 1958

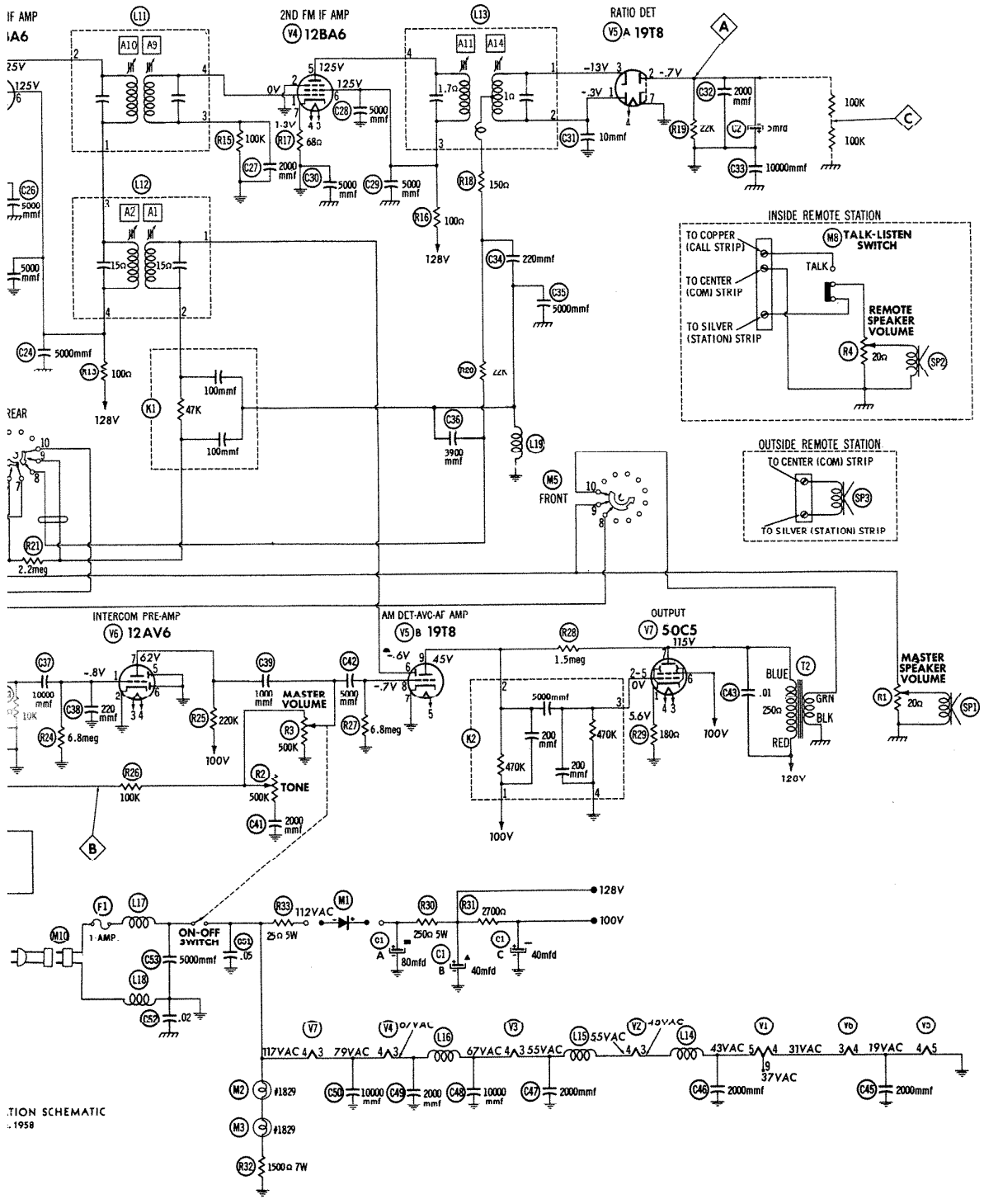


FIG. 1
 Schematic diagram of the radio receiver and amplifier system.