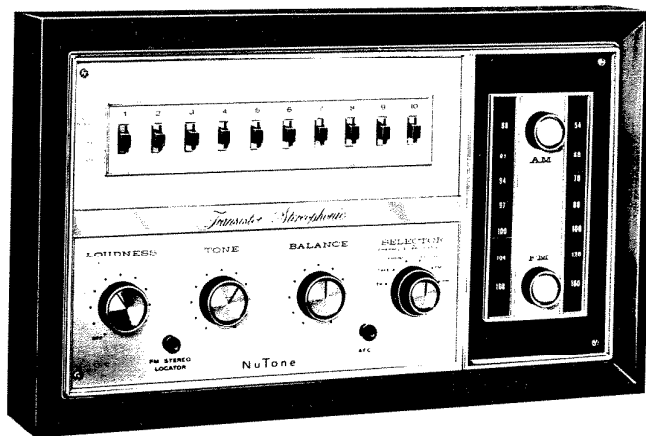


NuTone

Supplemental Information NO. 2

REVISED CIRCUIT AND PARTS LIST

CHASSIS NO. 071-D



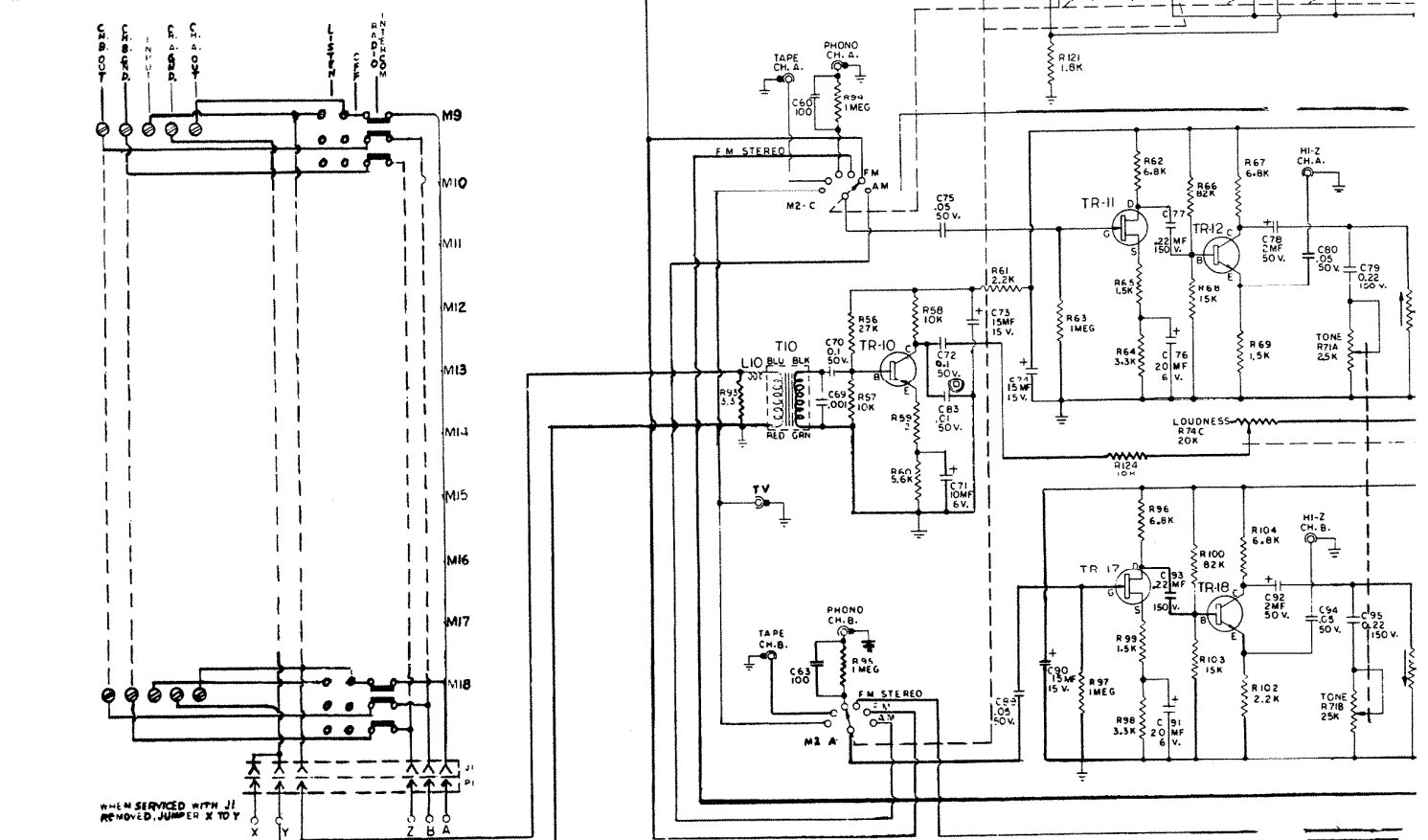
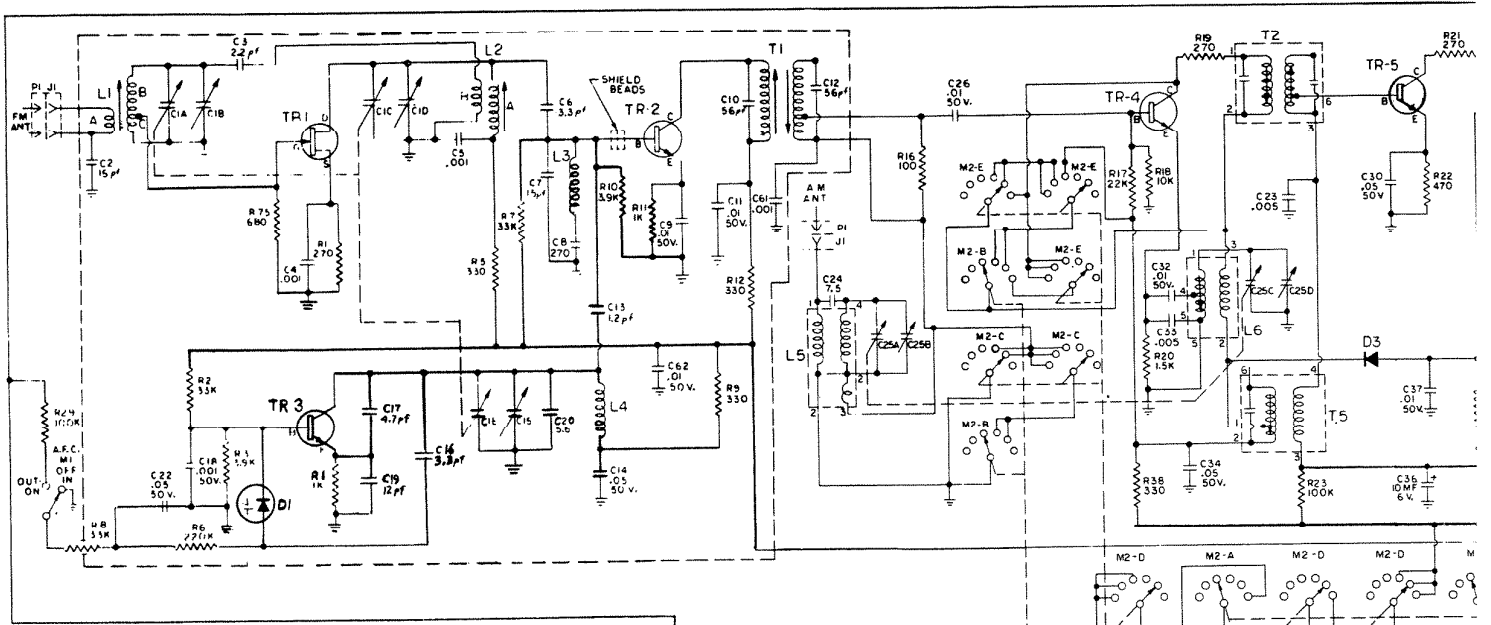
TRANSISTOR STEREO INTERCOM SYSTEM MODEL 2071

NuTone

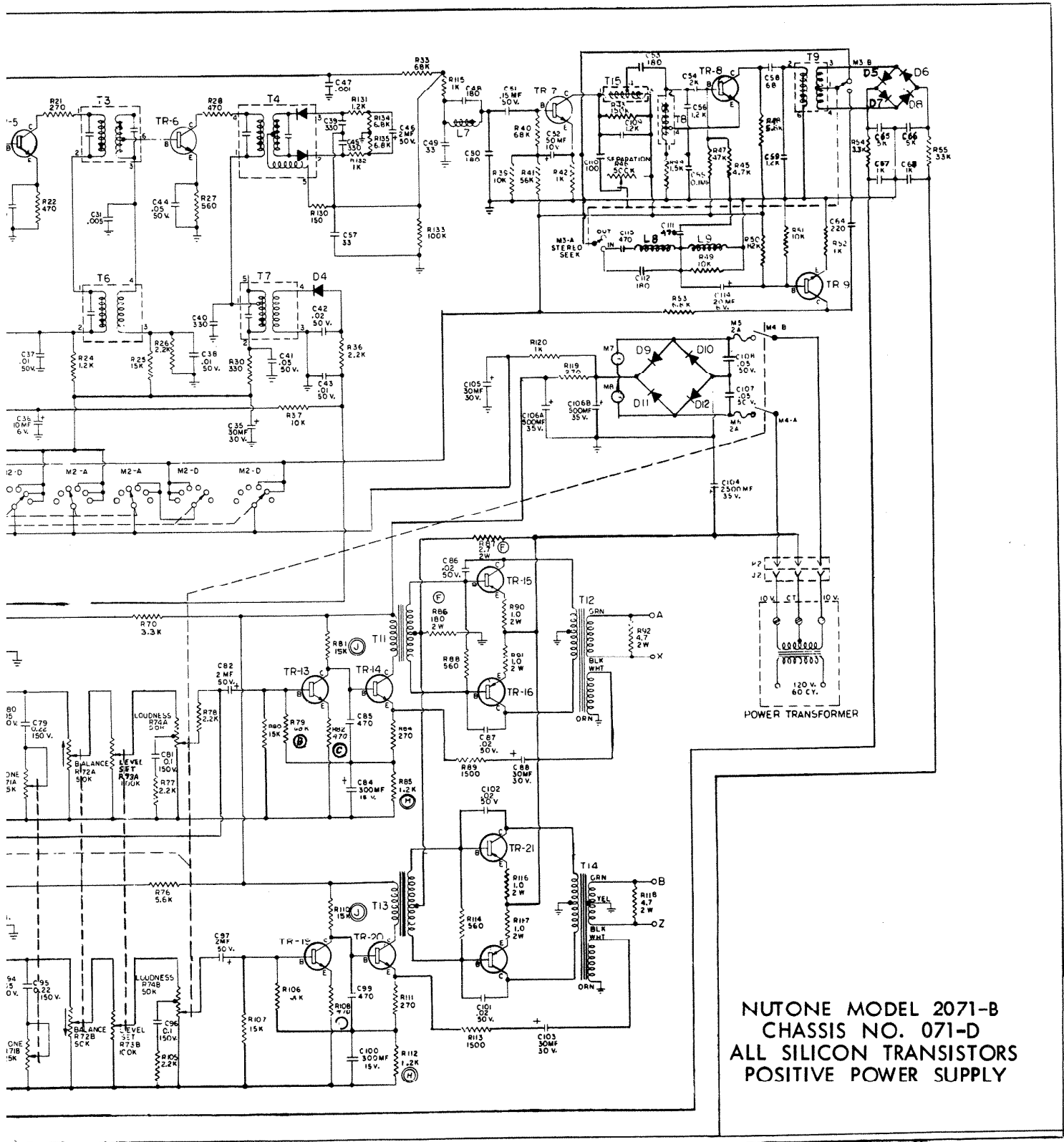
PRINTED IN U.S.A.

Madison & Red Bank Roads - Cincinnati, Ohio 45227 - U.S.A.

9/68 Part No. 45567



WHEN SERVICED WITH J1 REMOVED, JUMPER X TO Y



NUTONE MODEL 2071-B
CHASSIS NO. 071-D
ALL SILICON TRANSISTORS
POSITIVE POWER SUPPLY

REVISED CIRCUIT PARTS LIST FOR MODEL NO. 2071

The following parts have been changed, as noted, in late production units - effective with Chassis No. 071D.

These parts are not interchangeable with earlier production units.

| REF. NO. | DESCRIPTION | REF. NO. | DESCRIPTION | REF. NO. | DESCRIPTION | REF. NO. | DESCRIPTION |
|----------|------------------------|-----------|-----------------|----------|-------------|----------|-------------|
| C3 | Capacitors 2.2 pfd. | C61 | .001 mfd | R7 | 33 K | R77 | 2.2 K |
| C4 | .001 mfd. | C62 | .01 mfd. | R8 | 33 K | R79 | 68 K |
| C5 | .001 mfd. | C63 | 100 pfd. | R10 | 3.9 K | R81 | 15 K |
| C6 | 3.3 pfd | C72 | .01 mfd. | R11 | 1 K | R82 | 470 |
| C7 | 15 pfd. | C76 | 20 mfd. | R12 | 330 | R83 | Not Used |
| C8 | .01 mfd. | C77 | .22 mfd. | R13-15 | Not Used | R94 | 1 Meg. |
| C9 | .01 mfd. | C83 | Not Used | R16 | 100 | R95 | 1 Meg. |
| C10 | 56 pfd. | C91 | 20 mfd. | R29 | 100 K | R96 | 6.8 K |
| C11 | .01 mfd. | C93 | .22 mfd. | R37 | 10 K | R97 | 1 Meg. |
| C12 | 56 pfd. | C98 | Not Used | R47 | 47 K | R98 | 3.3 K |
| C13 | 1.2 pfd. | C104 | 2500 mfd. @ 35V | R62 | 6.8 K | R99 | 1.5 K |
| C14 | .05 mfd. | C111 | 470 pfd. | R63 | 1 Meg. | R100 | 82 K |
| C18 | .001 mfd. | C112 | 180 pfd. | R64 | 3.3 K | R101 | Not Used |
| C20 | 5.6 pfd. | C113 | 470 pfd. | R65 | 1.5 K | R102 | 2.2 K |
| C21-23 | Not Used | C114 | 20 mfd. | R66 | 82 K | R103 | 15 K |
| C29 | Not Used | C115-118 | Not Used | R67 | 6.8 K | R104 | 6.8 K |
| C31 | .005 mfd. | Resistors | | R68 | 15 K | R105 | 2.2 K |
| C35 | 30 mfd. @ 30V | R1 | 270 | R69 | 1.5 K | R106 | 68 K |
| C39 | 330 pfd. | R2 | 33 K | R70 | 3.3 K | R108 | 470 |
| C45 | 330 pfd. | R3 | 3.9 K | R75 | 680 | R109 | Not Used |
| C60 | 100 pfd. | R6 | 220 K | R76 | 5.6 K | R110 | 15 K |

| Ref. NO. | NUTONE PART NO. | DESCRIPTION | REF. NO. | NUTONE PART NO. | DESCRIPTION |
|---------------------|-----------------|-----------------------|---------------|-----------------|--|
| Variable Capacitors | | | L3 | 30062 | 10.7 MHz. Trap |
| C1 | 35074 | FM Tuning Capacitor | L4 | 30063 | FM Oscillator |
| C15 | 35078 | FM Oscillator Trimmer | Diodes | | |
| Transformers | | | D1 | 35019 | Silicon Diode Cap. AFC |
| T1 | 30524 | FM IF Transformer | D2 | | Not Used |
| T2-T3 | 30567 | FM IF Transformer | D9-D12 | 36564 | Silicon Rectifiers in DC Positive Power Supply |
| T4 | 30574 | FM Ratio Detector | Miscellaneous | | |
| Coils | | | M1 | 34538 | AFC Pushbutton Switch |
| L1A | 30068 | Antenna Primary | M2 | 40393 | 5-Position, Rotary Selector Switch Assembly |
| L1B | 30069 | FM Antenna | | 40824 | FM Tuner Assembly |
| L1C | 30070 | Antenna Trap | | | |
| L2A | 30071 | Mixer | | | |
| L2B | 30072 | Neutralizer | | | |

TRANSISTOR CHART

| REF. NO. | NUTONE PART NO. | DESCRIPTION | AVERAGE TRANSISTOR DC VOLTAGES SELECTOR SWITCH IN FM POSITION | | |
|----------|-----------------|------------------------------------|--|------|------|
| | | | Ed | Eg | Es |
| TR1 | 36582 | FET Silicon, FM RF Amplifier | 12.6 | 0 | 1.31 |
| TR2 | 36578 | FM Mixer | 10.6 | 1.1 | .57 |
| TR3 | 36581 | FM Oscillator | 10.6 | 1.1 | .54 |
| TR4 | 36578 | 1st. FM IF Amplifier | 7.6 | 3.1 | 2.3 |
| | | AM Convertor | 11* | 3.4* | 2.9* |
| TR5 | 36578 | 2nd. FM IF Amplifier | 8.9 | 1.3 | .56 |
| | | 1st. AM IF Amplifier | 9.8* | 1.4* | .68* |
| TR6 | 36578 | 3rd. FM IF Amplifier | 9.7 | 1.4 | .72 |
| | | 2nd. AM IF Amplifier | 10.5* | 1.6* | .86* |
| TR7 | 36580 | Multi-Plex Input, Emitter Follower | 10.5 | 1.5 | .9 |
| TR8 | 36580 | 19 KHz. Oscillator | 8.1 | .88 | .78 |
| TR9 | 36580 | Stereo Seek Amplifier | 7 | 1.2 | .52 |
| TR10 | 36580 | Intercom Amplifier | 7.6 | 3.0 | 2.4 |
| | | | Ed | Eg | Es |
| TR11 | 36582 | FET Silicon, Pre-Amp, Channel A | 11 | 0 | 2.1 |
| TR17 | 36582 | Fet Silicon, Pre-Amp, Channel B | | | |
| | | | Ec | Eb | Ee |
| TR12 | 36580 | 1st. Audio Amplifier, Channel A | 11.9 | 2.1 | 1.4 |
| TR18 | 36580 | 1st. Audio Amplifier, Channel B | | | |
| TR13 | 36580 | Pre-Driver, Channel A | 10.9 | .82 | .25 |
| TR19 | 36580 | Pre-Driver, Channel B | | | |
| TR14 | 36580 | Driver, Channel A | 20.1 | 10.9 | 10.7 |
| TR20 | 36580 | Driver, Channel B | | | |
| TR15-16 | 32556 | Push-Pull Audio Output, Channel A | .08 | 11.7 | 10.2 |
| TR21-22 | 32556 | Push-Pull Audio Output, Channel B | | | |

* These Voltages Measured With Selector Switch In "AM" Position.