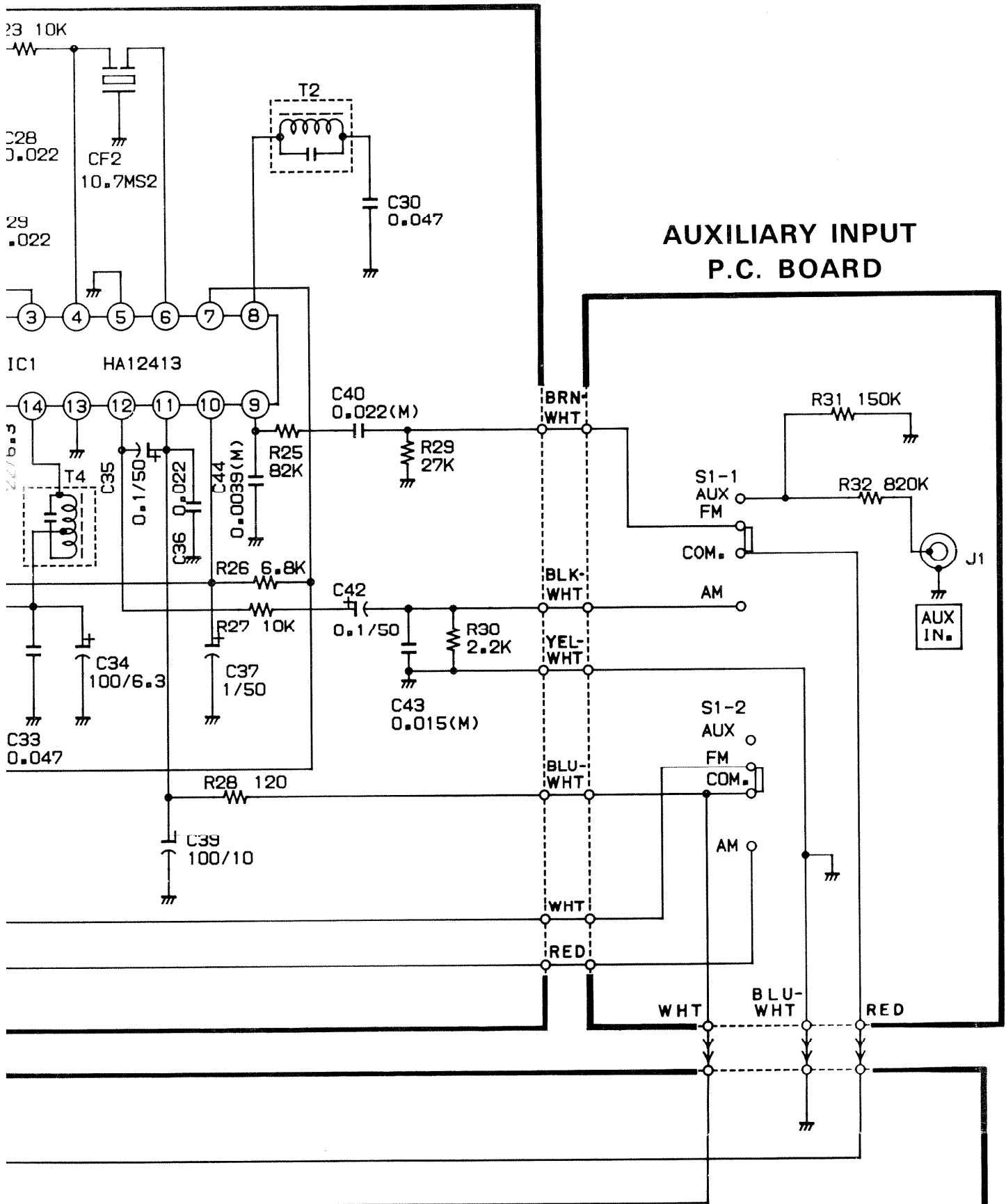
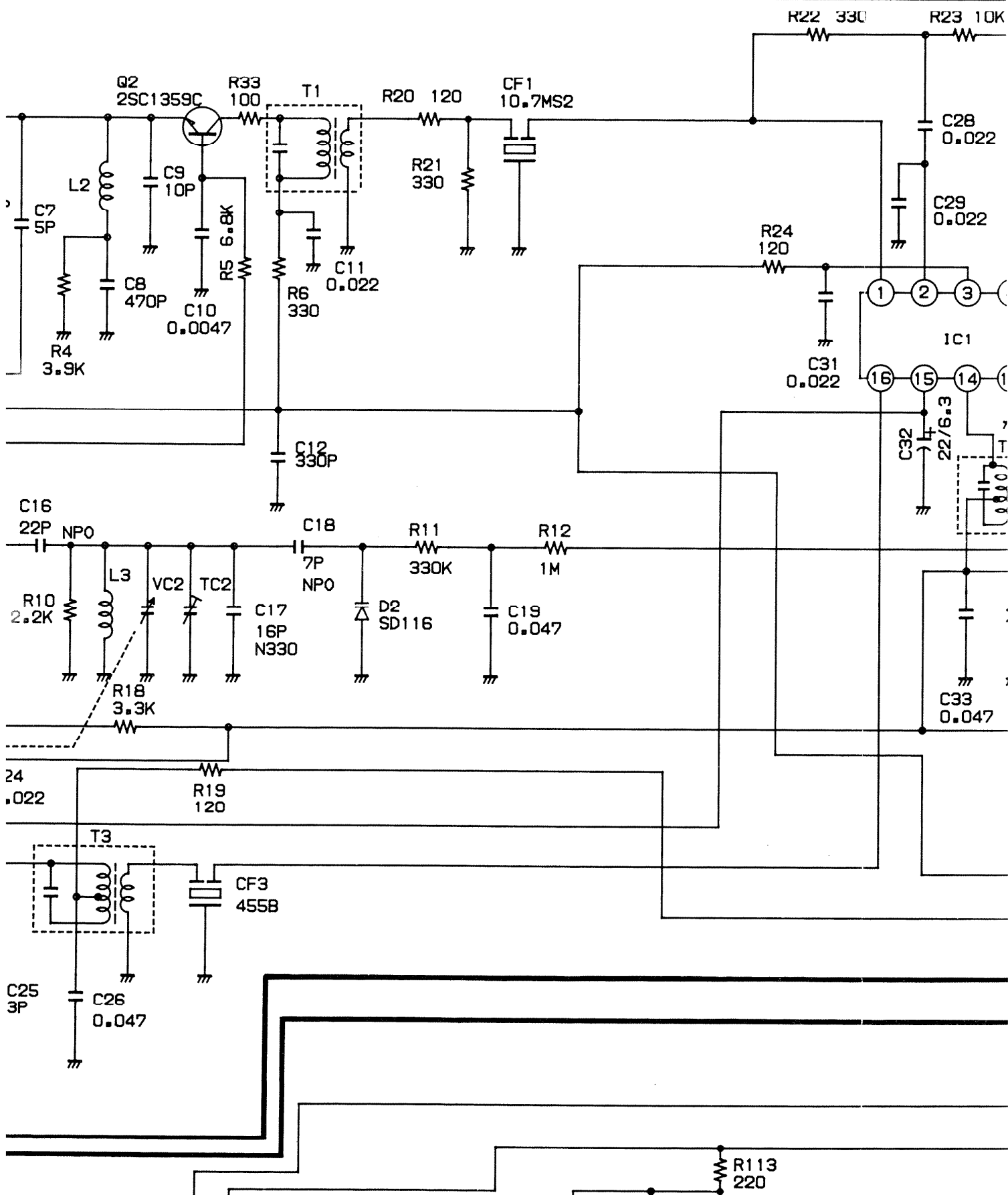


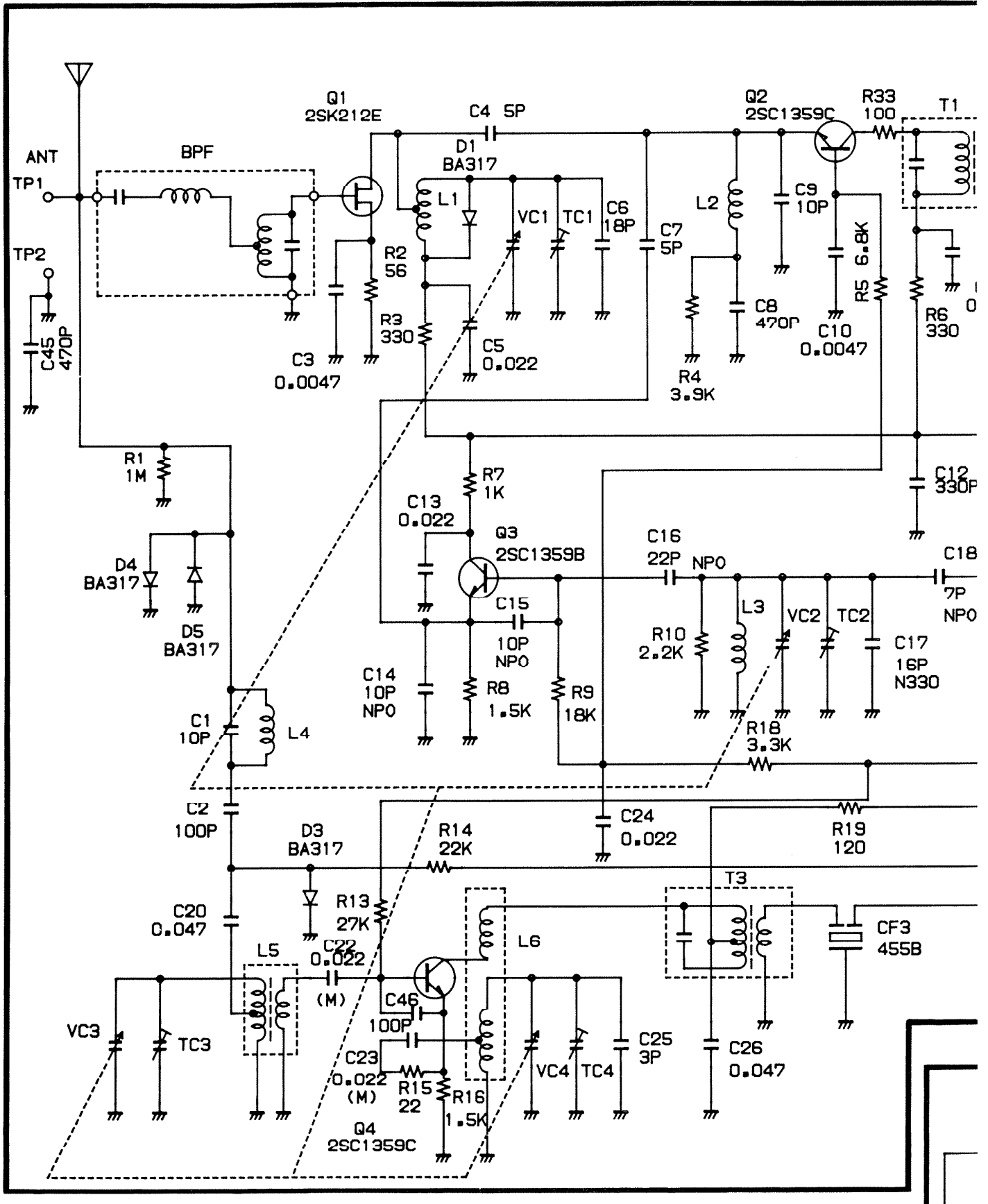
# IM-2003 RADIO-INTERCOM MASTER UNIT SCHEMATIC

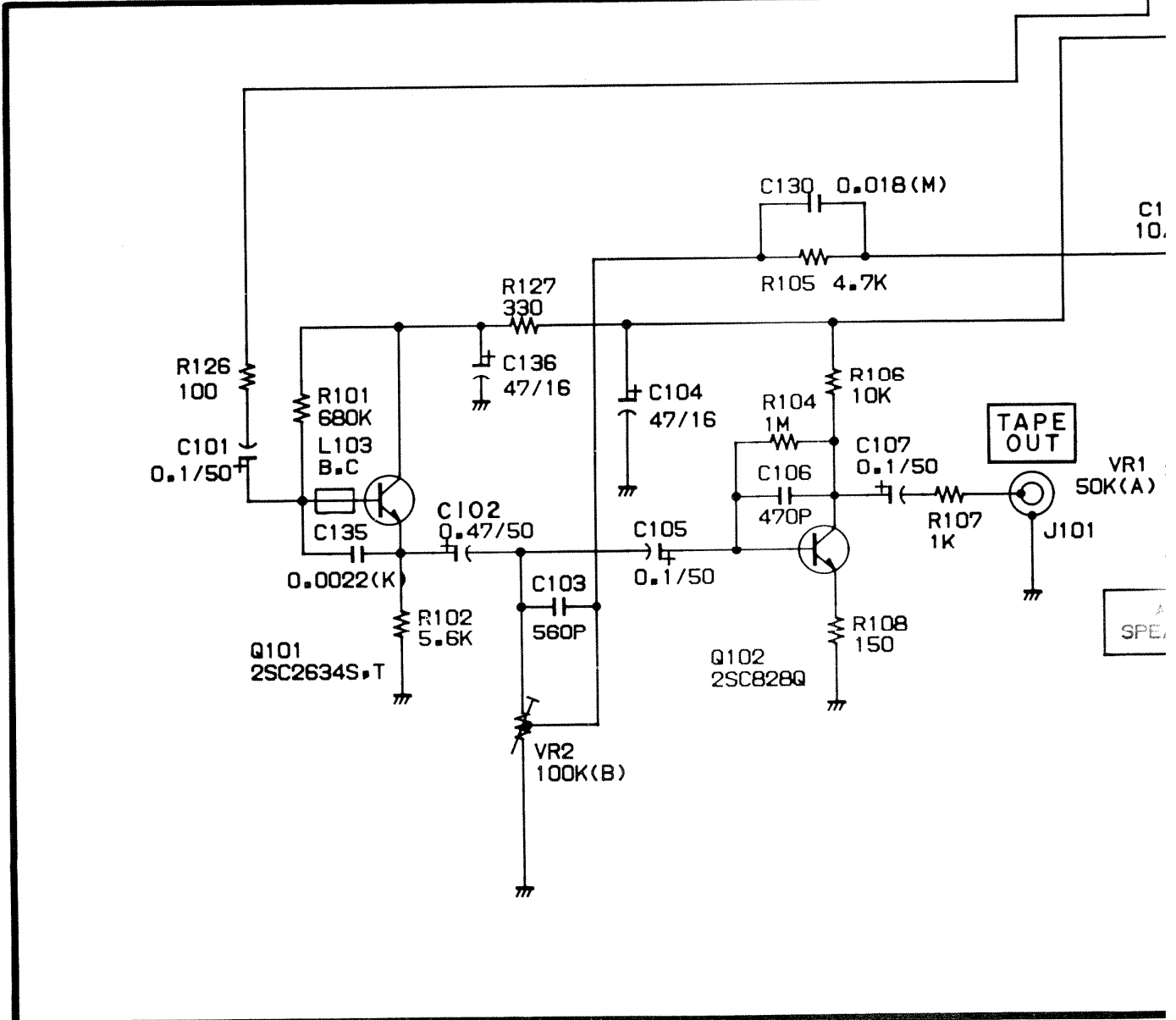
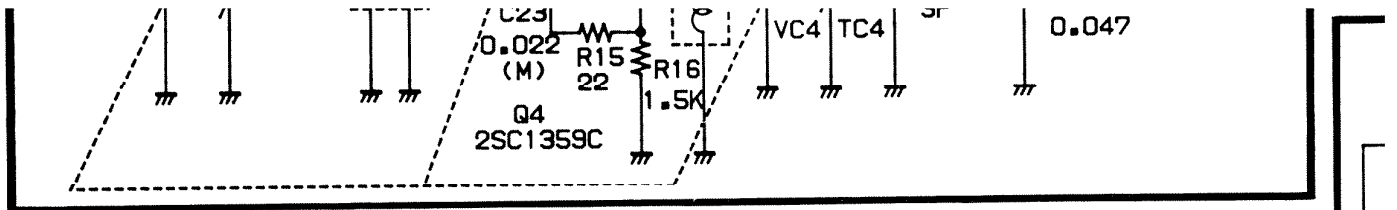




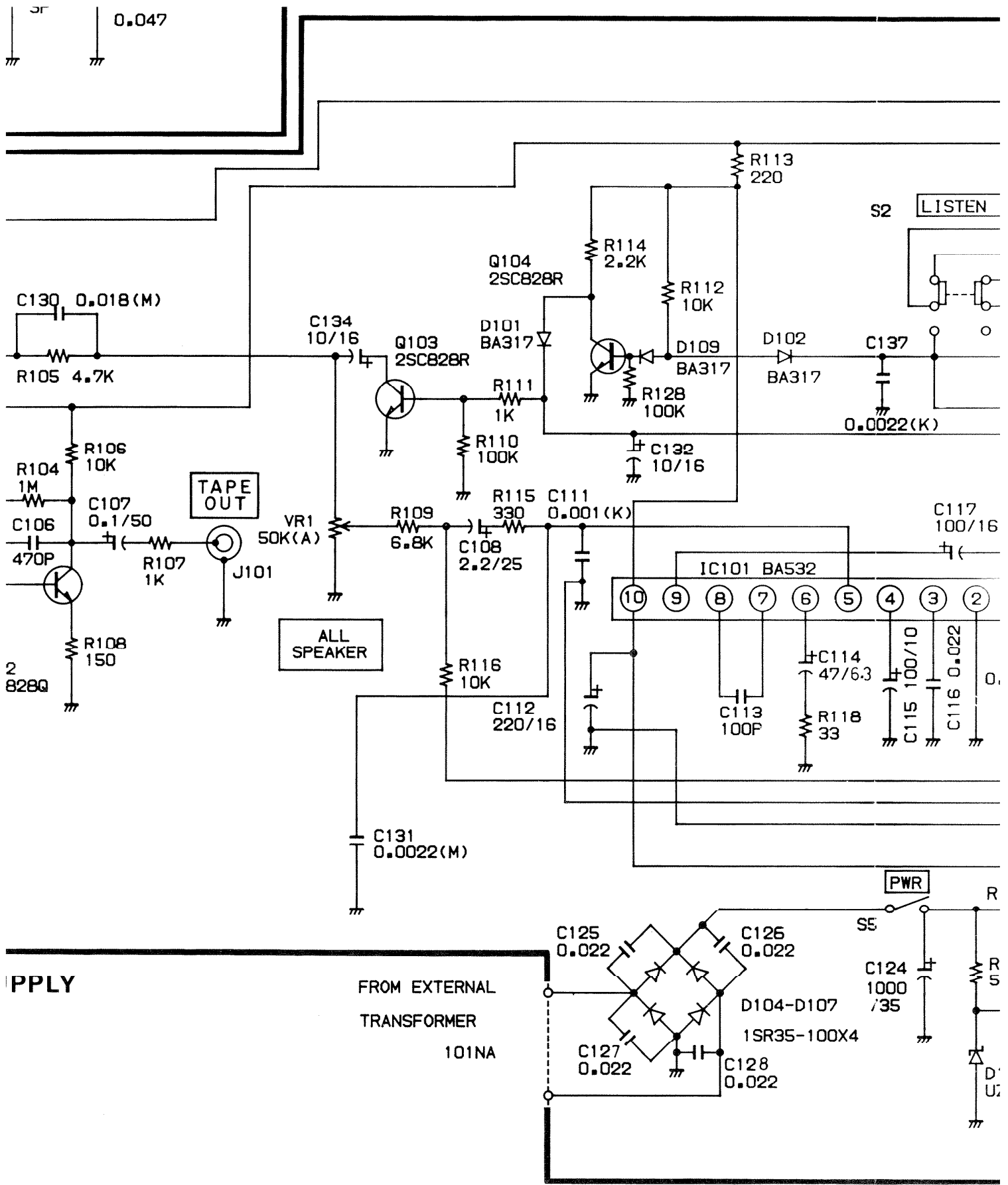
# TUNER P.C. BOARD

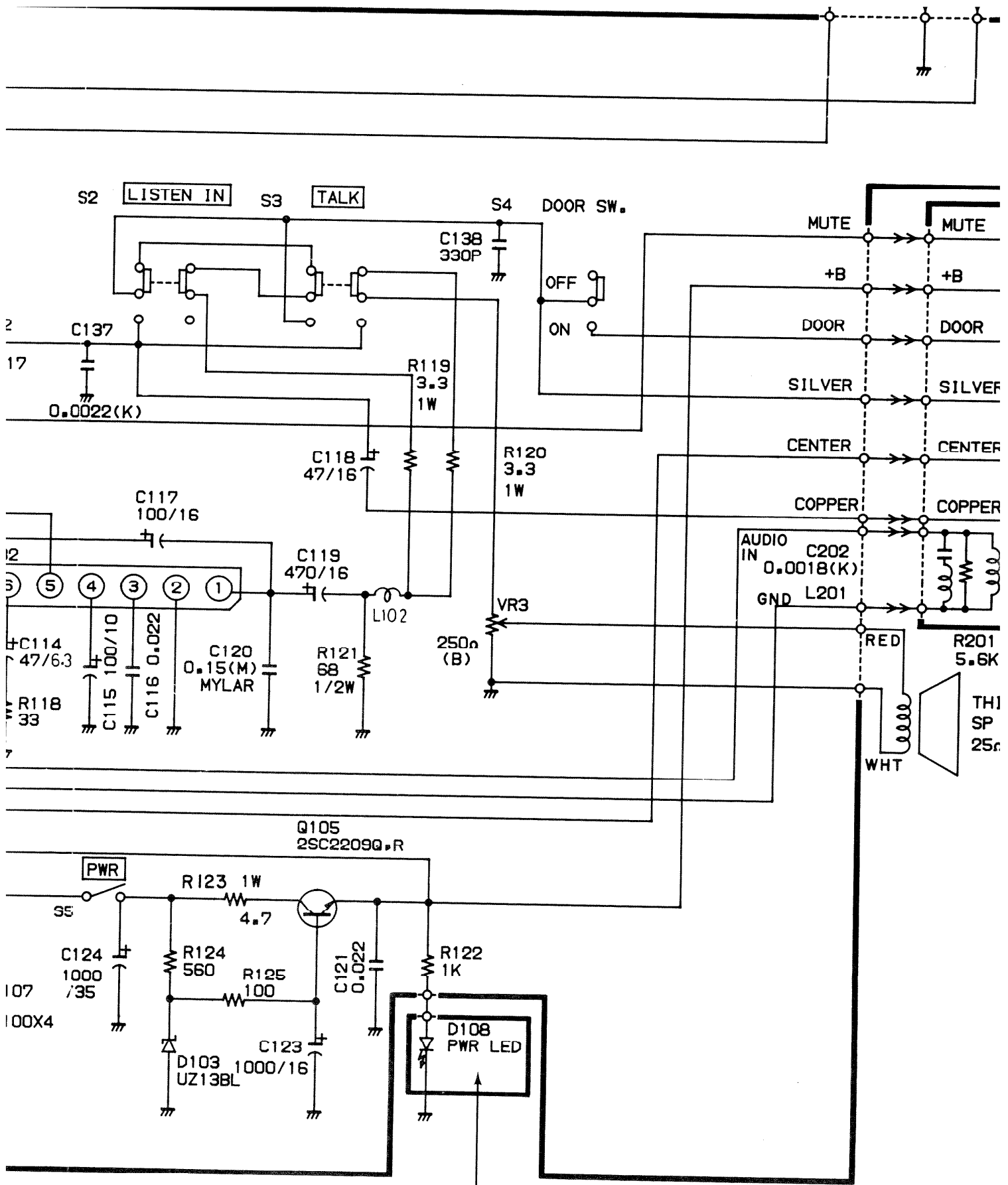




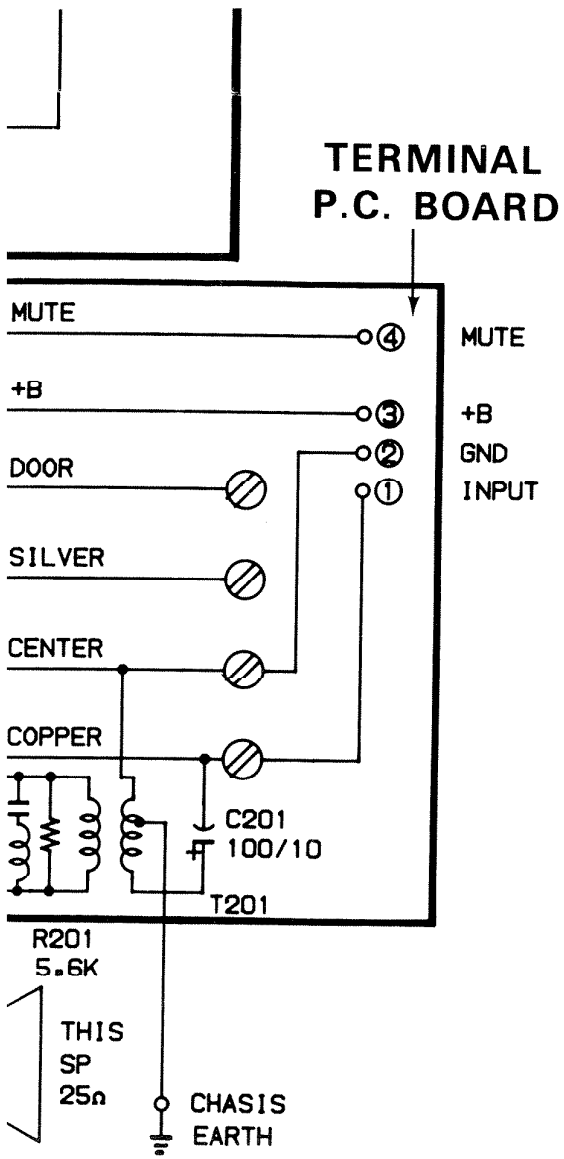


**AMPLIFIER AND POWER SUPPLY  
P.C. BOARD**





POWER LED  
P.C. BOARD



**3 CONDUCTOR  
INTERCONNECT CABLE**

MUTE	BLU/WHT
+ B	WHT
SILVER	RED

**5 CONDUCTOR  
INTERCONNECT CABLE**

DOOR	BLK/WHT
CENTER	RED
COPPER	YEL/WHT
AUDIO-IN	BLU/WHT
GROUND	WHT