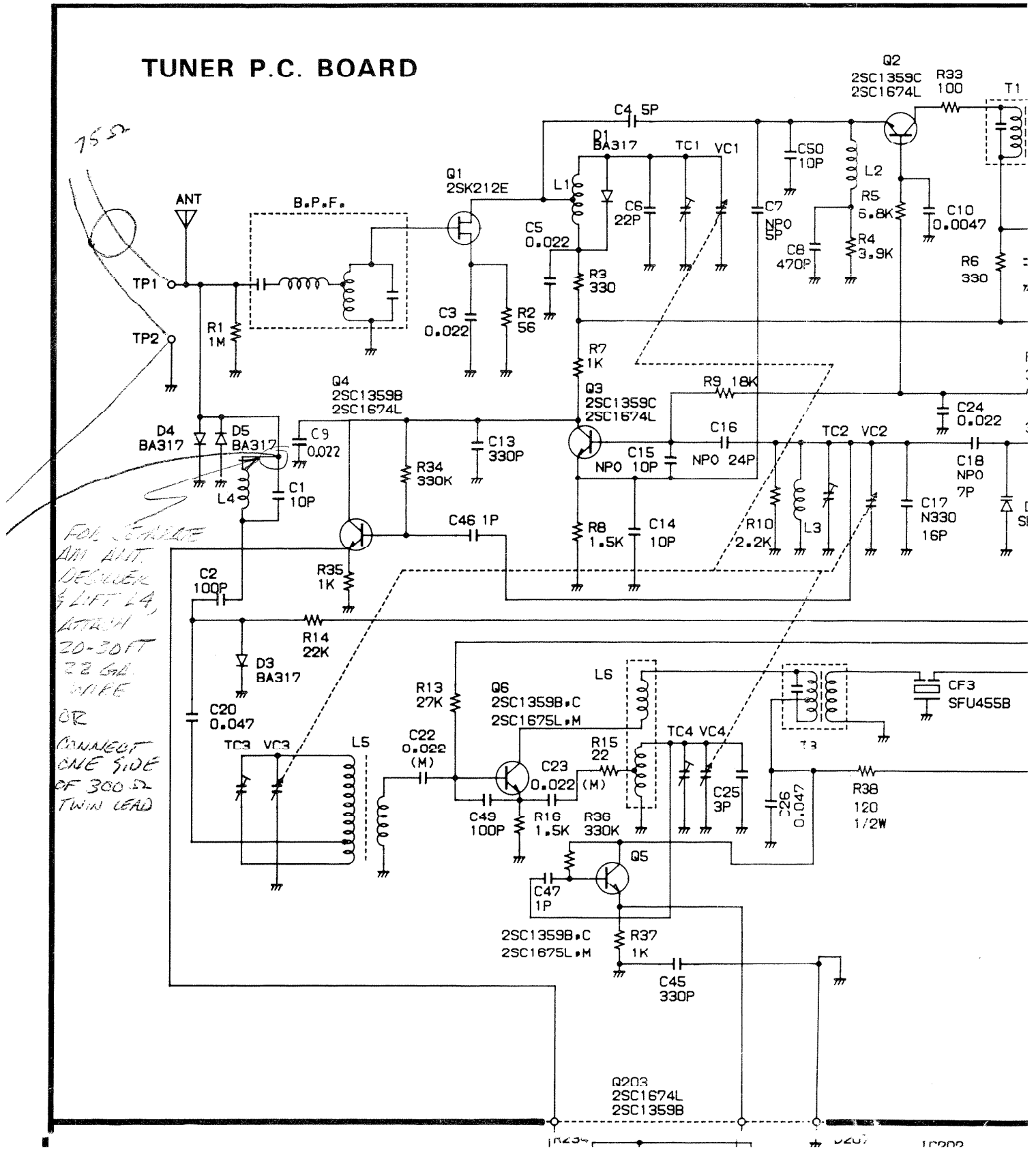
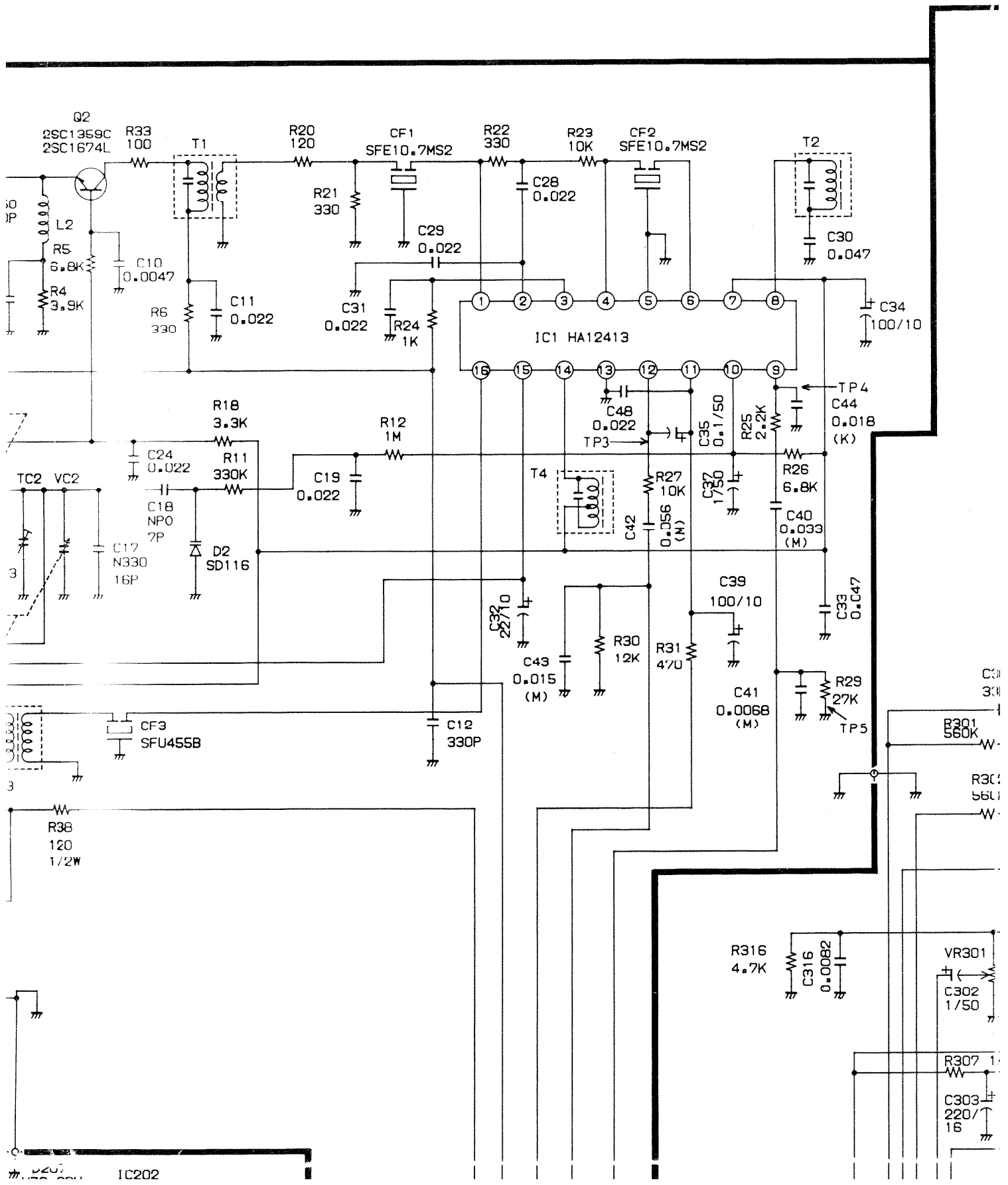


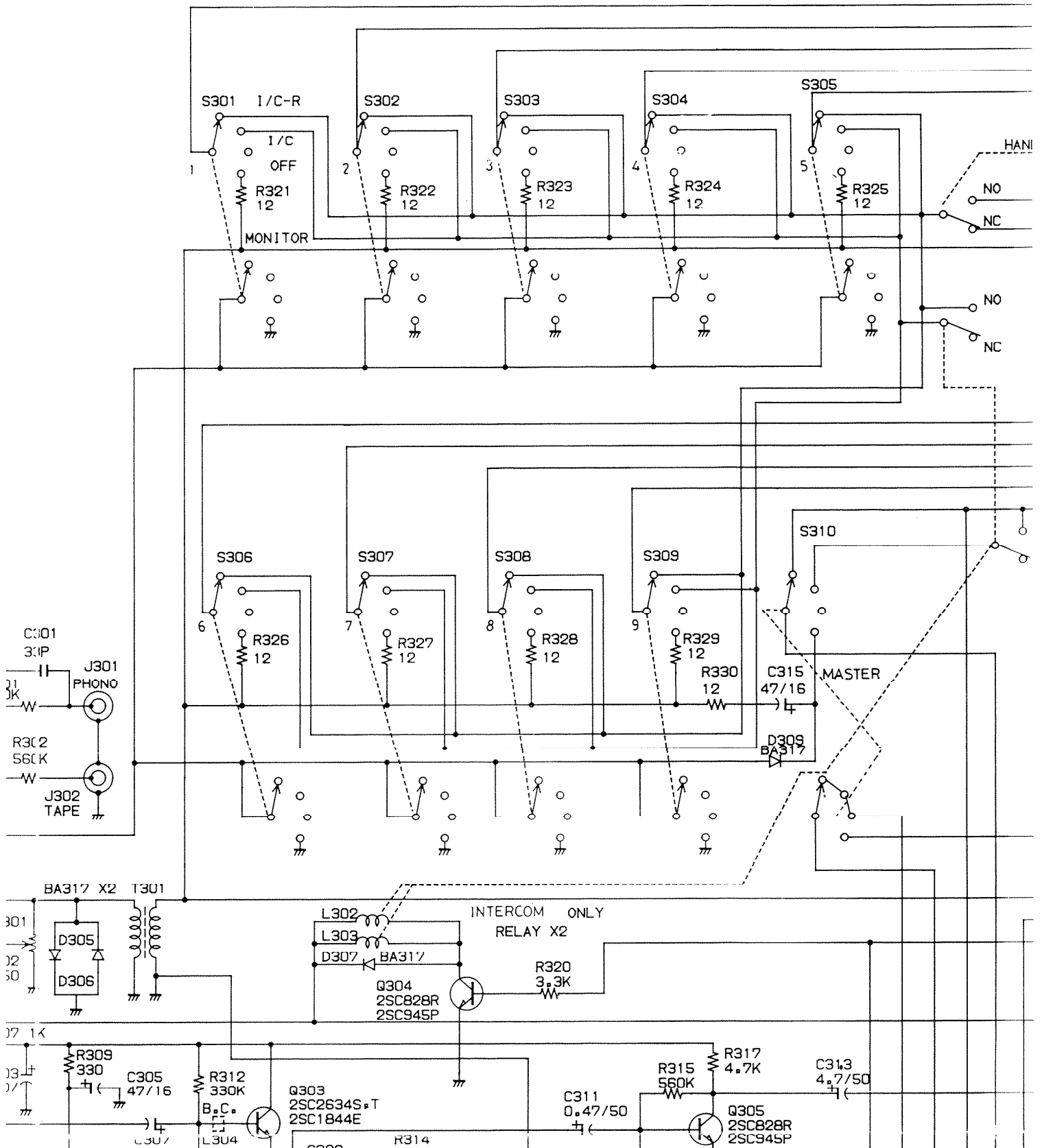
3003 RADIO-INTERCOM MASTER UNIT SCHEMATIC

TUNER P.C. BOARD



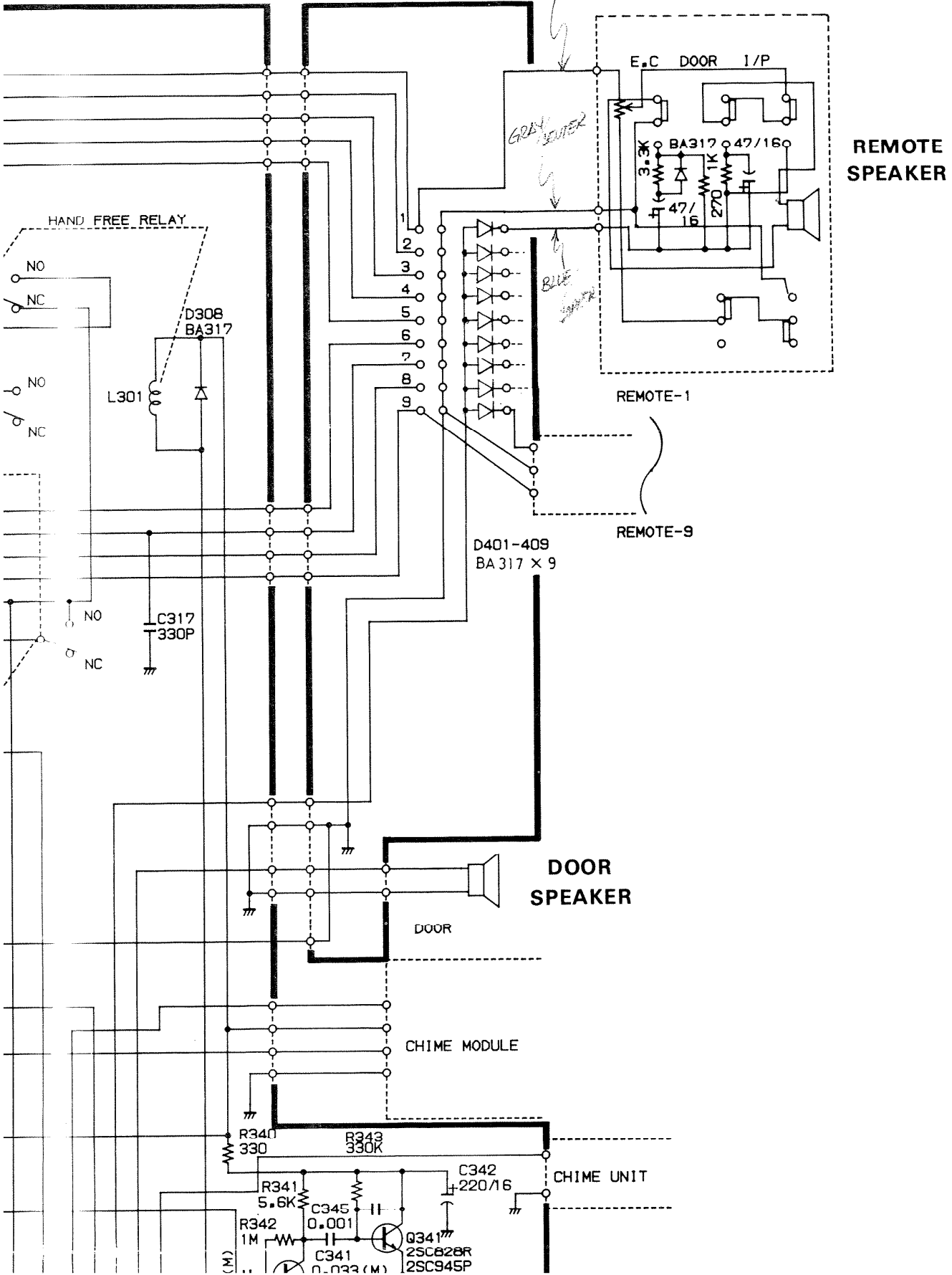


SWITCH P.C. BOARD



TERMINAL BOARD

RED/WHITE²



REMOTE SPEAKER

REMOTE-1

REMOTE-9

D401-409
BA 317 X 9

DOOR SPEAKER

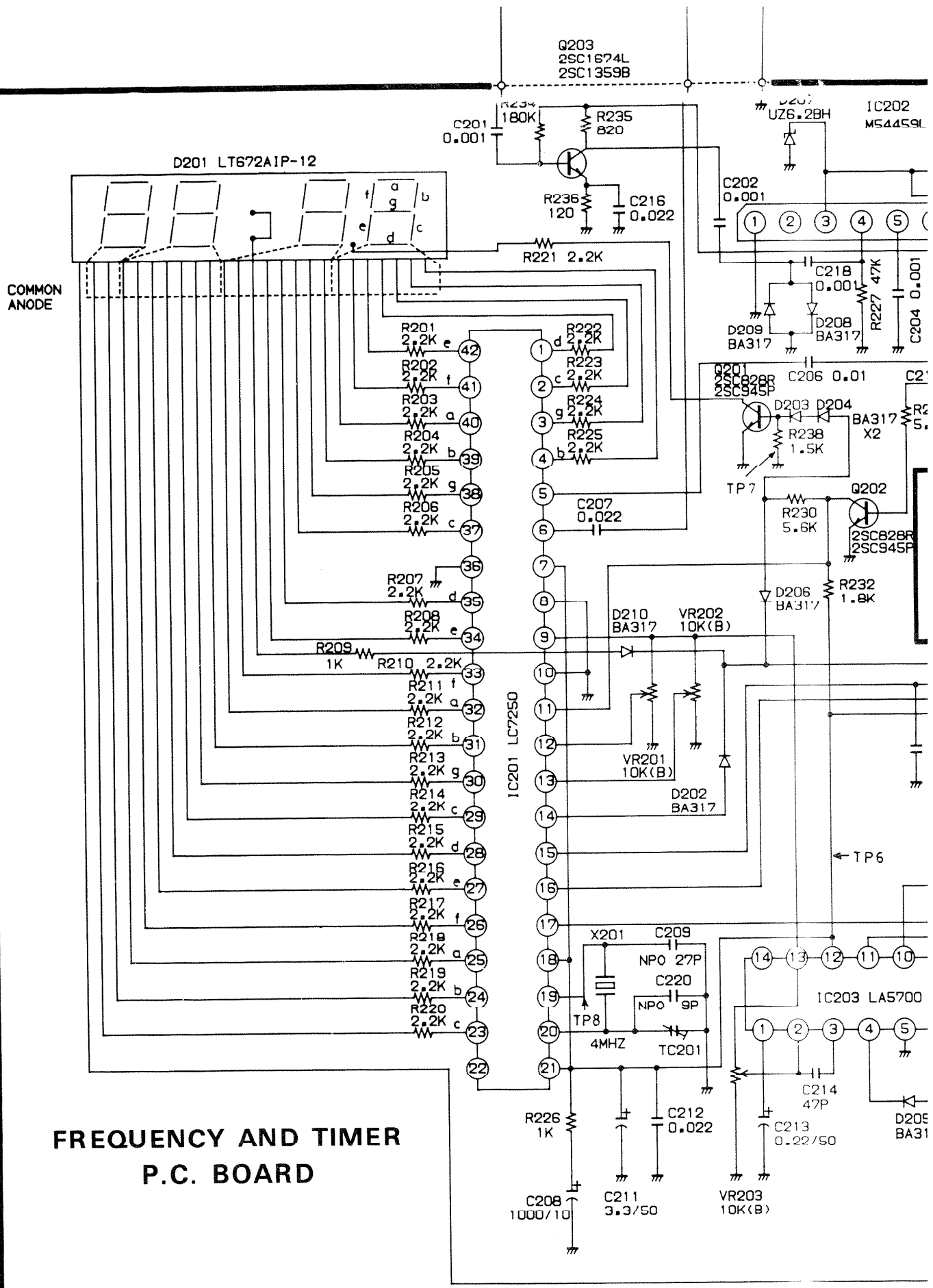
CHIME MODULE

CHIME UNIT

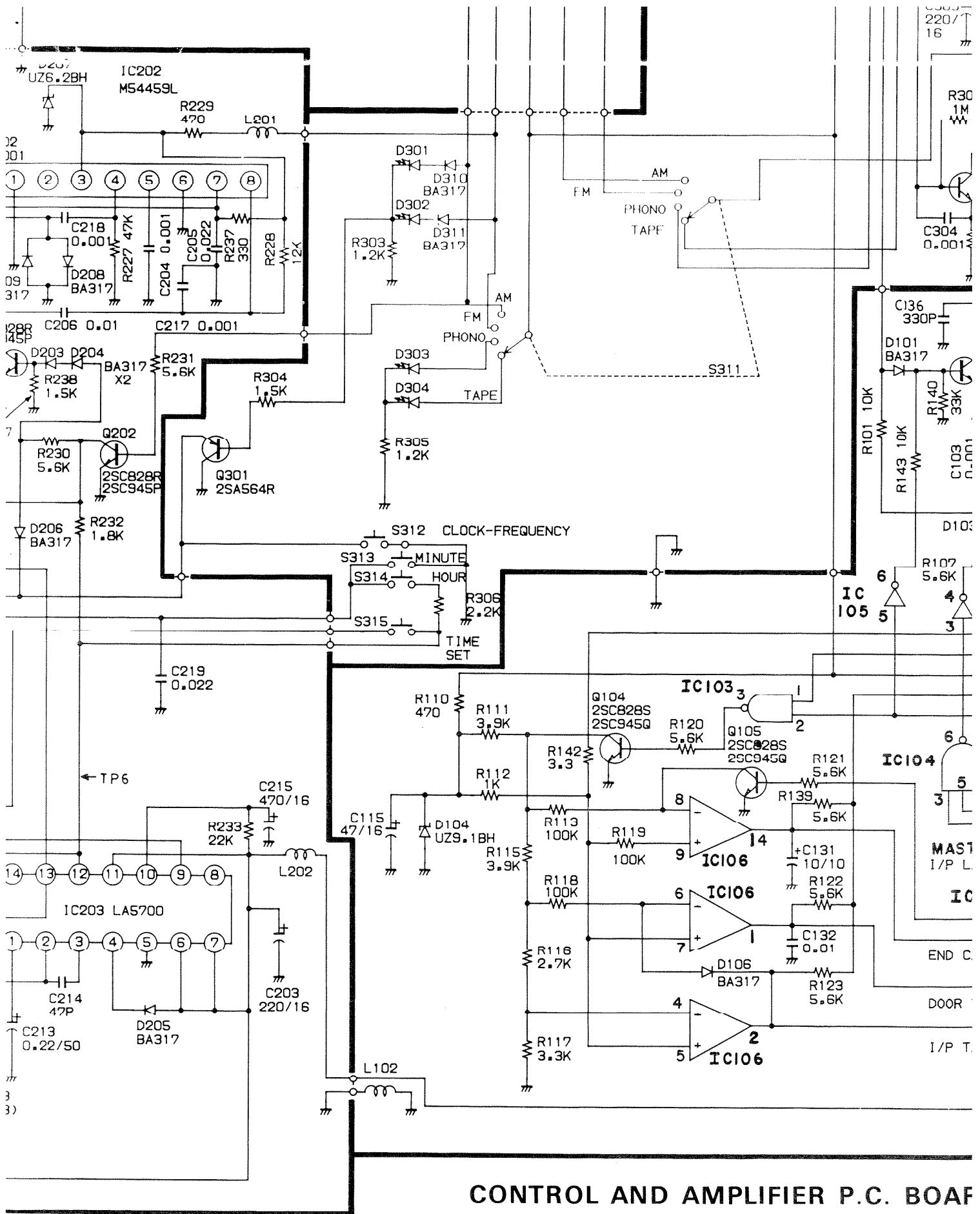
DOOR

(M)

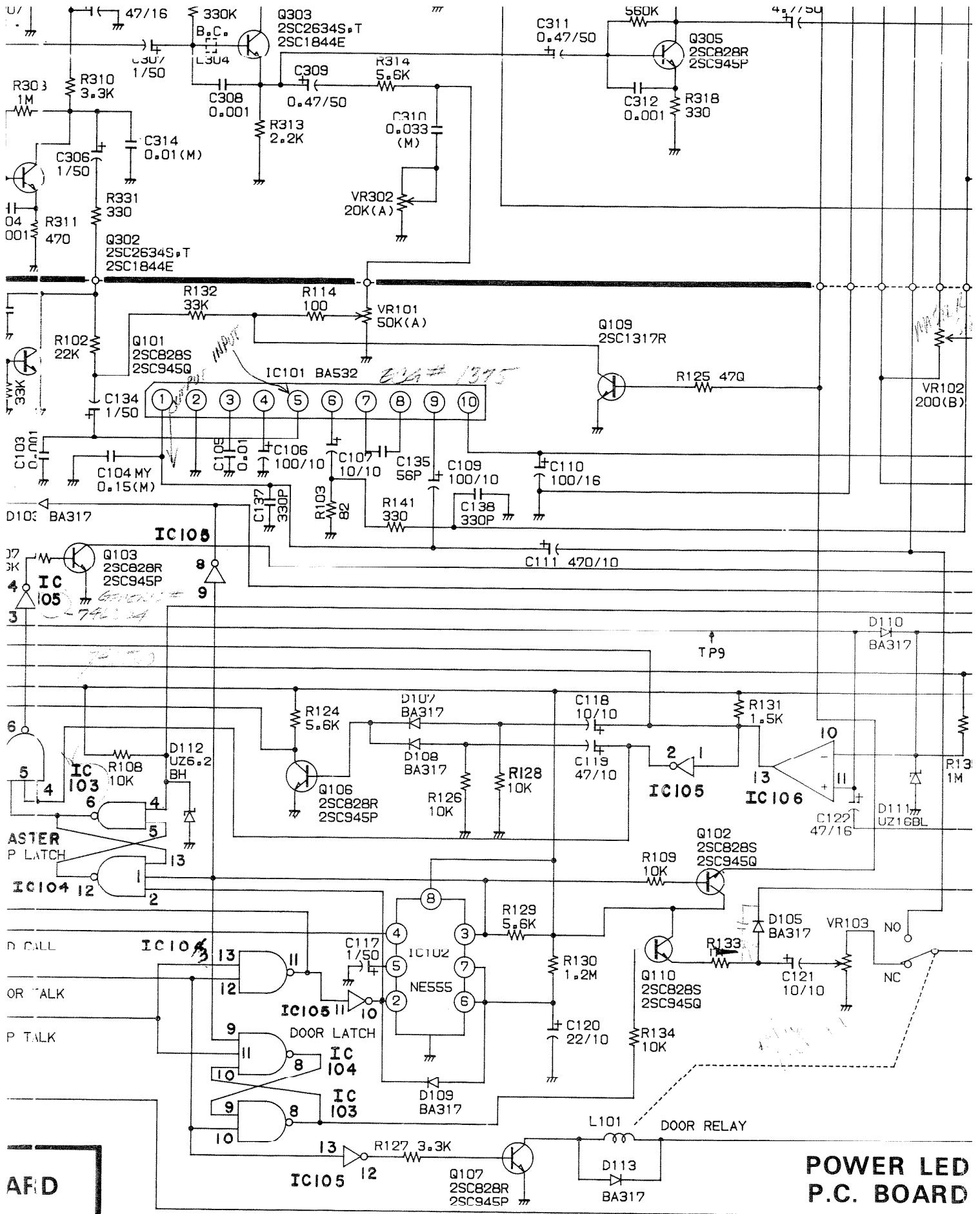
(M)



**FREQUENCY AND TIMER
P.C. BOARD**

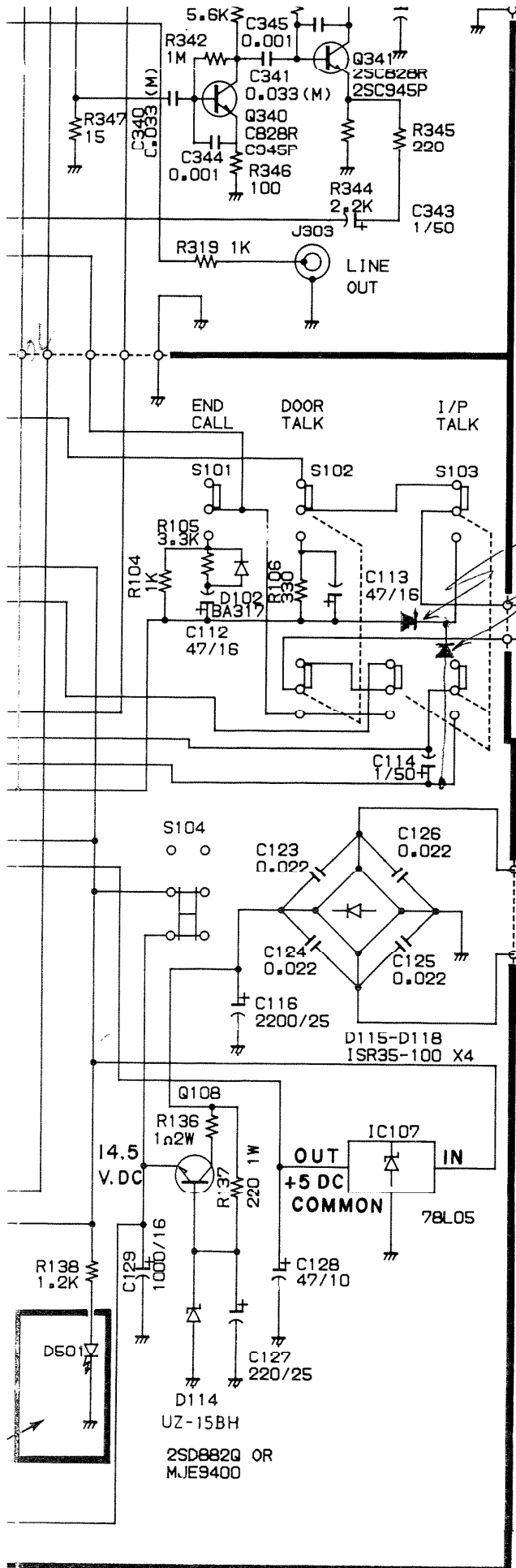


CONTROL AND AMPLIFIER P.C. BOAF



AFID

POWER LED
P.C. BOARD



ENSURES HF RELAY NOT ENERGIZED WHEN REMOTE CALLS

PART # 7038A-00
 BA-317 IN4148
 D120 SILICON
 ENSURES HANDS FREE RELAY
 D121 GERMANIUM ENERGIZES POSITIVELY
 GE-1K261
 7705A-000

	+ 5V. DC	GND.
IC103	SN74LS00	PIN 14 PIN 7
IC104	SN74LS10	PIN 14 PIN 7
IC105	SN74LS04	PIN 14 PIN 7
IC106	LM339	PIN 3 PIN 12

NuTone

Madison and Red Bank Road
 Cincinnati, Ohio 45227
 Printed in U.S.A. 4/84,
 Part No. FS-1325